



ASSEMBLY INSTRUCTIONS



Garantell

simplifying everyday life

MACHINE GUARDS
PAGE 4



MESH DECKS
PAGE 50



REAR MESH
PAGE 54

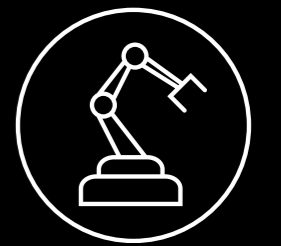


PROPERTY PROTECTION
PAGE 62



SIMPLIFYING EVERYDAY LIFE

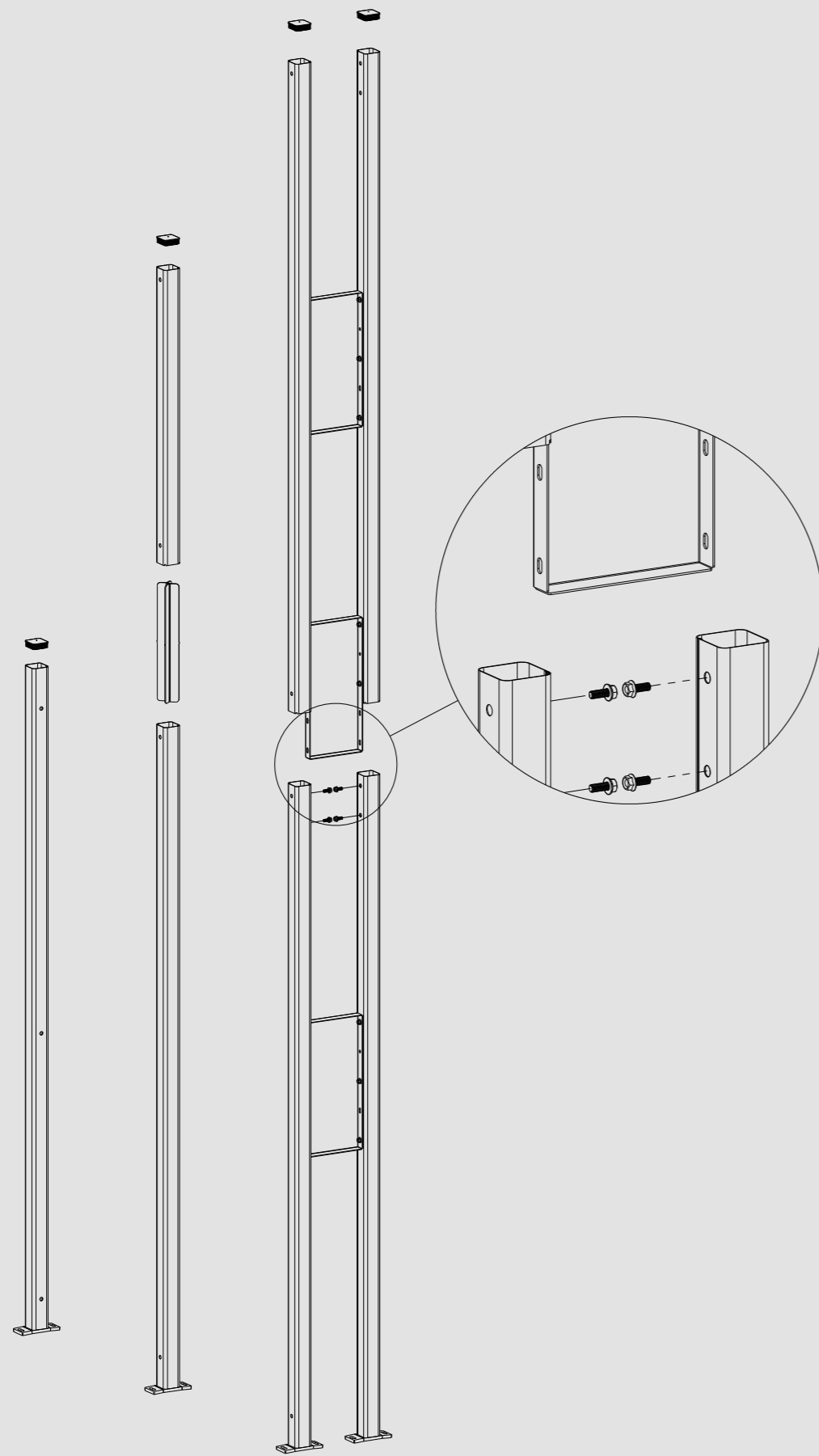
Garantell is a family owned business in Värnamo, south of Sweden. We develop and manufacture high-end wire mesh wall solutions that are used across Europe. The product range includes durable and cost effective machine guards, mesh decks, anti-collapse mesh and property protection systems. We aim to simplify your everyday life, from order to assembly. Our quest to find an easier, smarter and better solution has resulted in the fact that we are the only ones on the market offering customized solutions into the smallest degree. It has also resulted in an efficient and popular online service. Try the Garantellator and get instant quotes including freight. All this based on your drawings of machine guards, mesh decks and rear mesh.



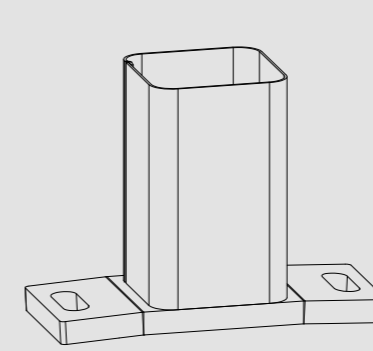
MACHINE GUARDS

MACHINE GUARDS THAT SIMPLIFY
YOUR EVERYDAY LIFE

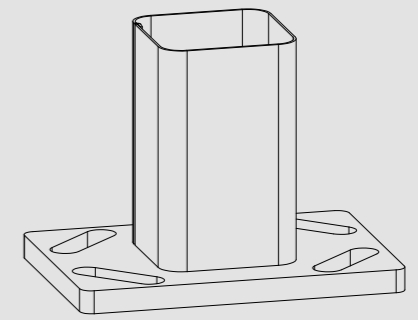
POSTS



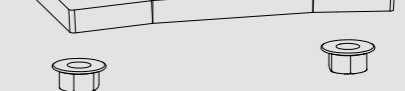
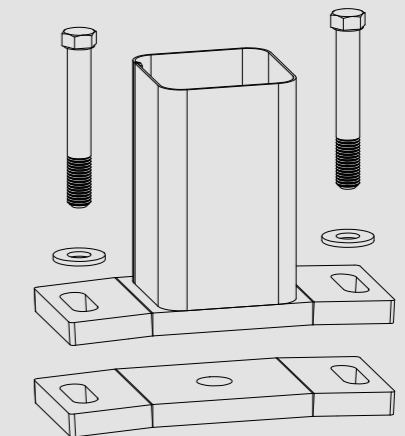
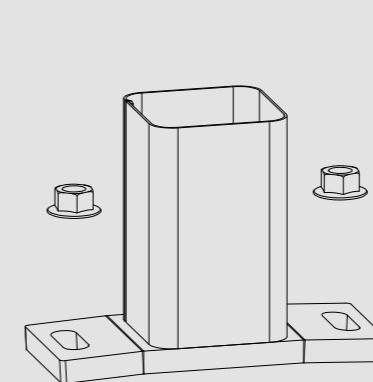
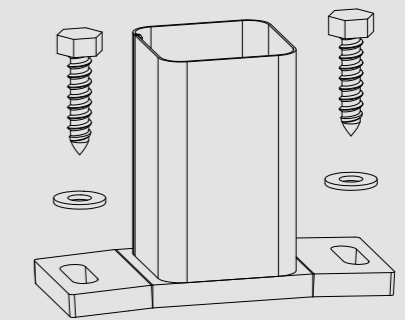
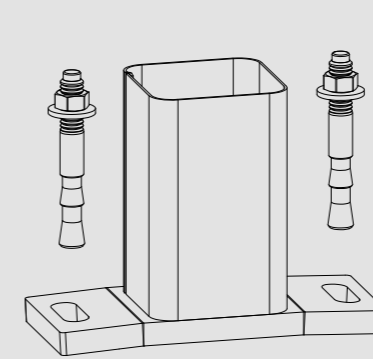
POSTS, FLOOR FIXINGS



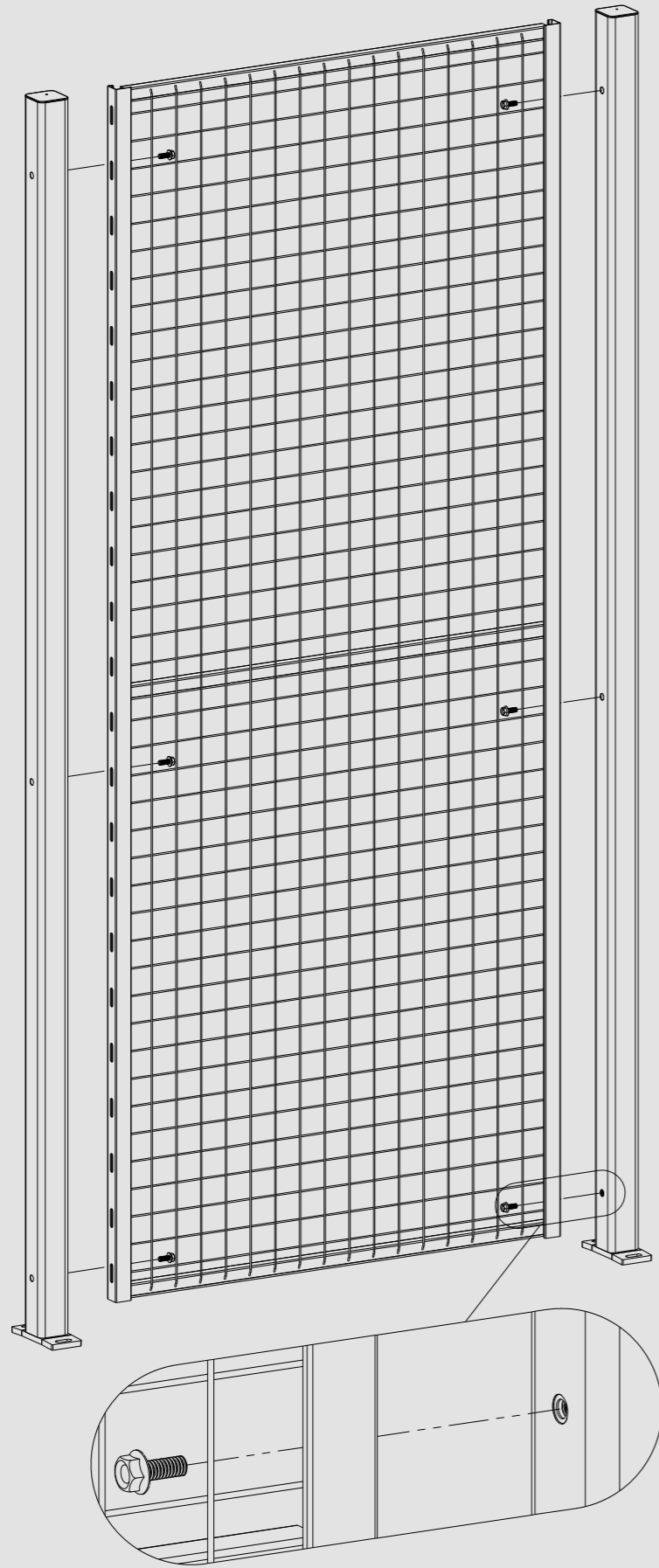
Type 1 142x60



Type 2 142x100

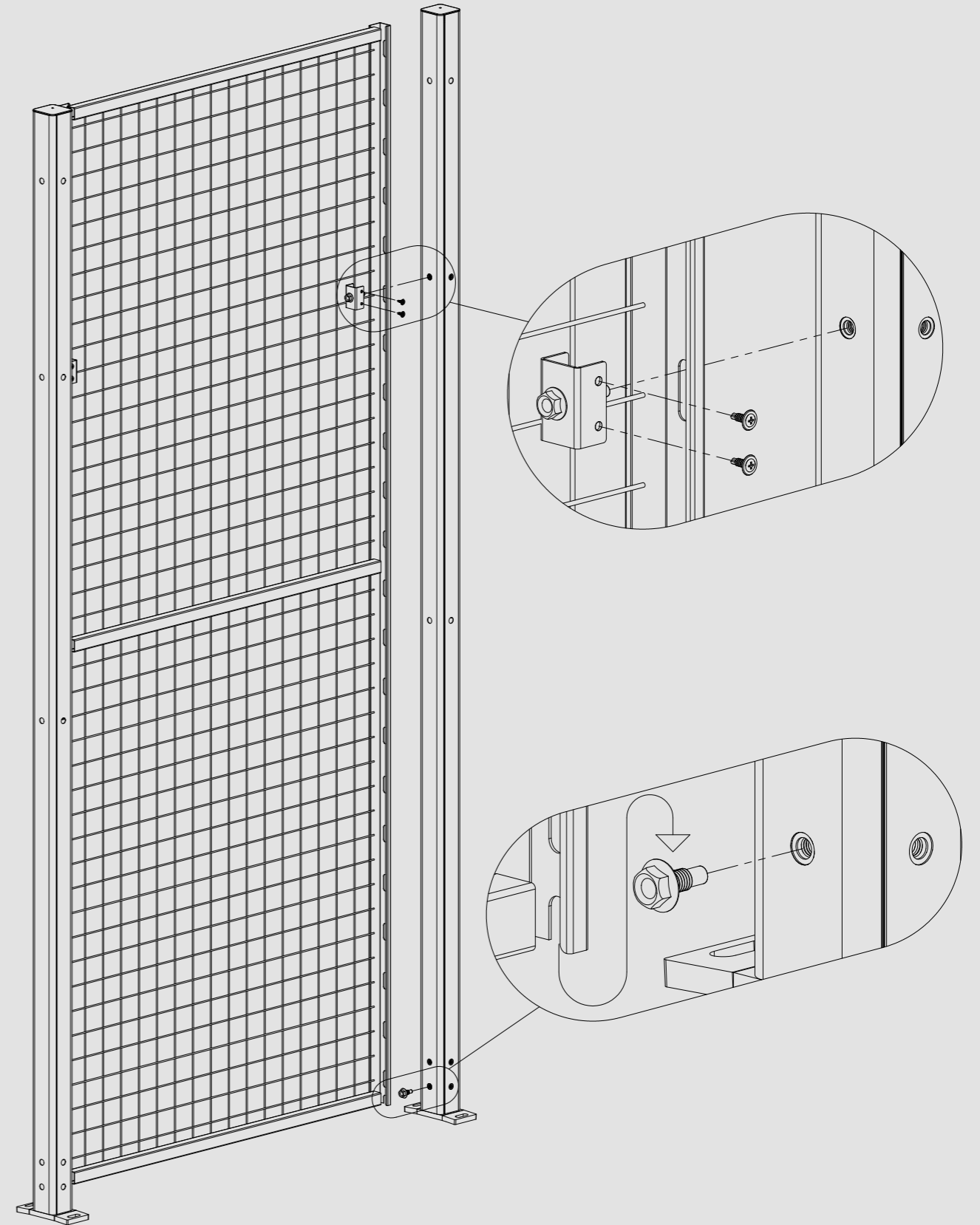


WALL WITH BOLTS



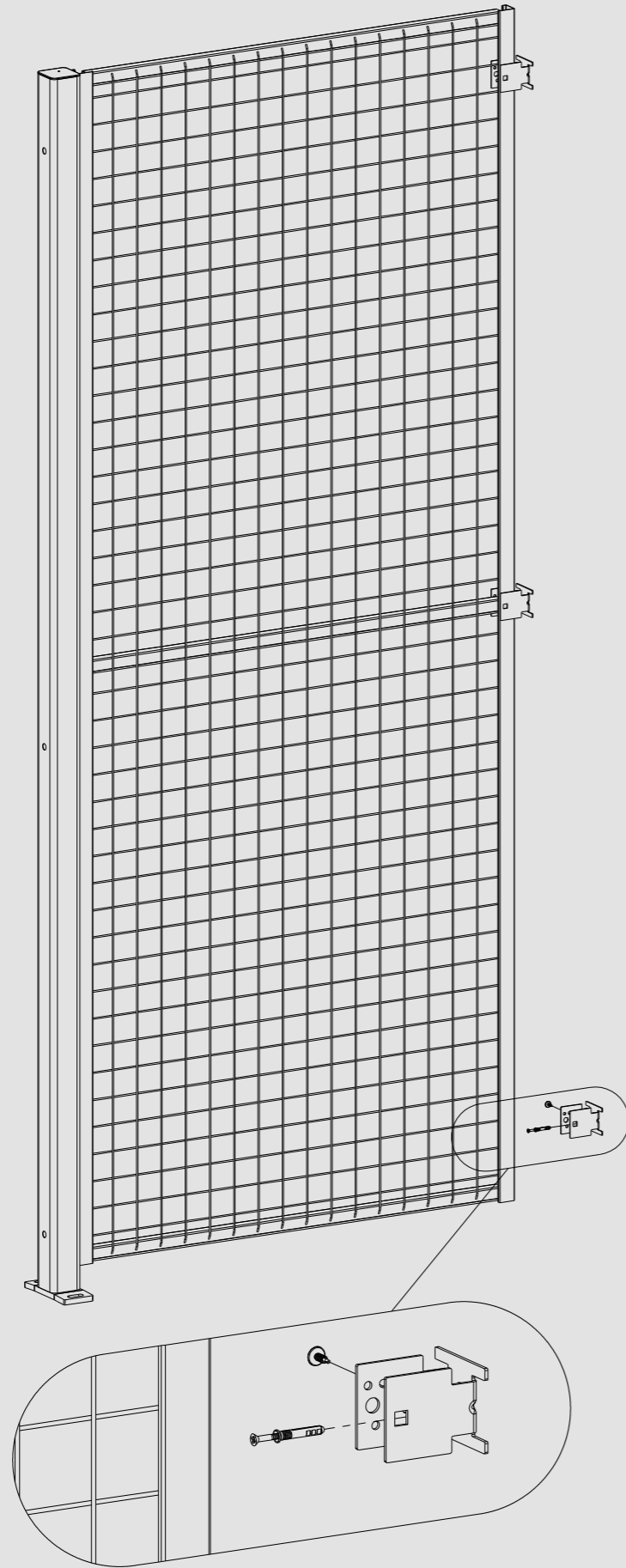
WALL WITH RETAINED BOLTS

702-003-003

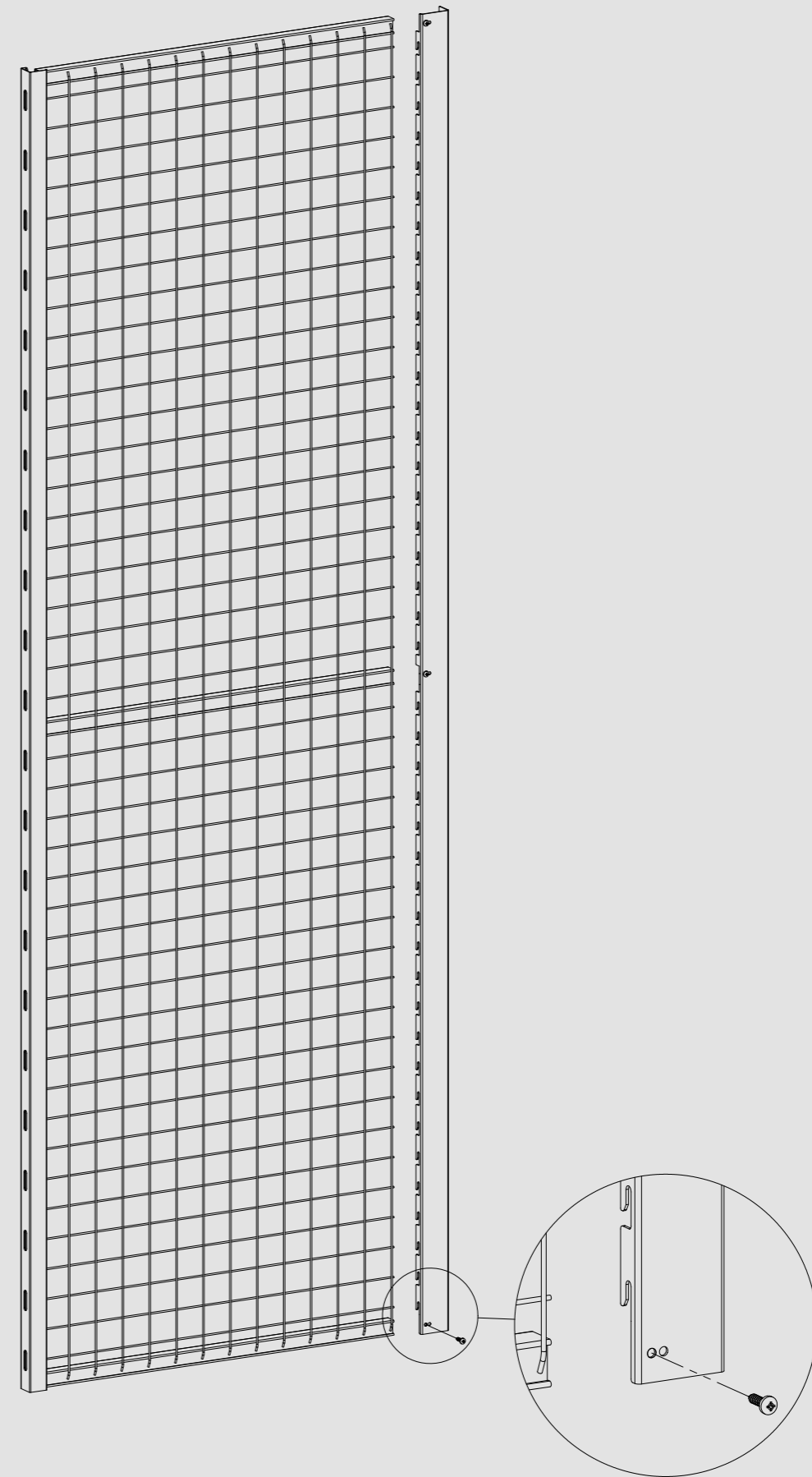


WALL FIXING

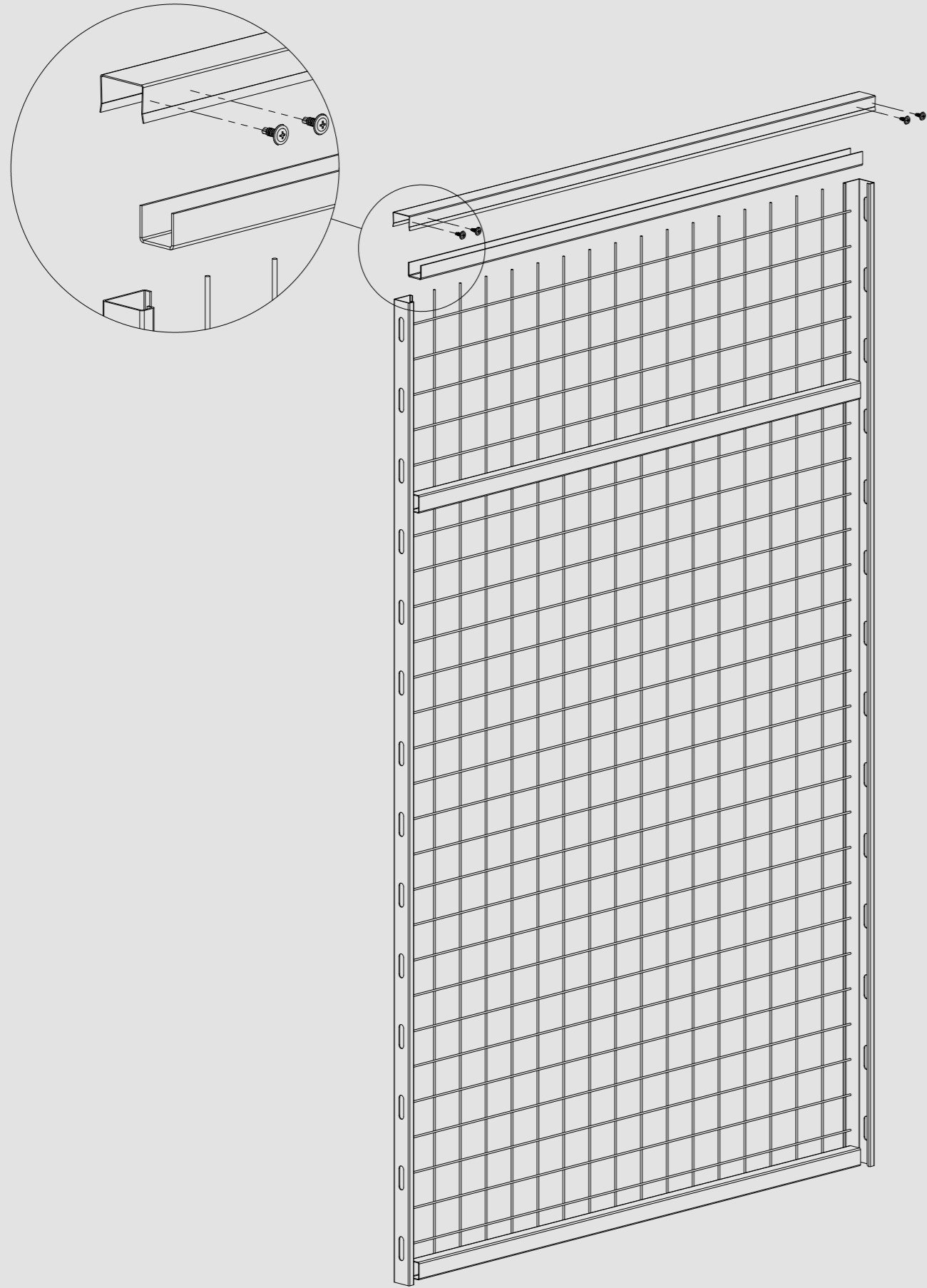
701-003-102



VERTICAL CUTTING

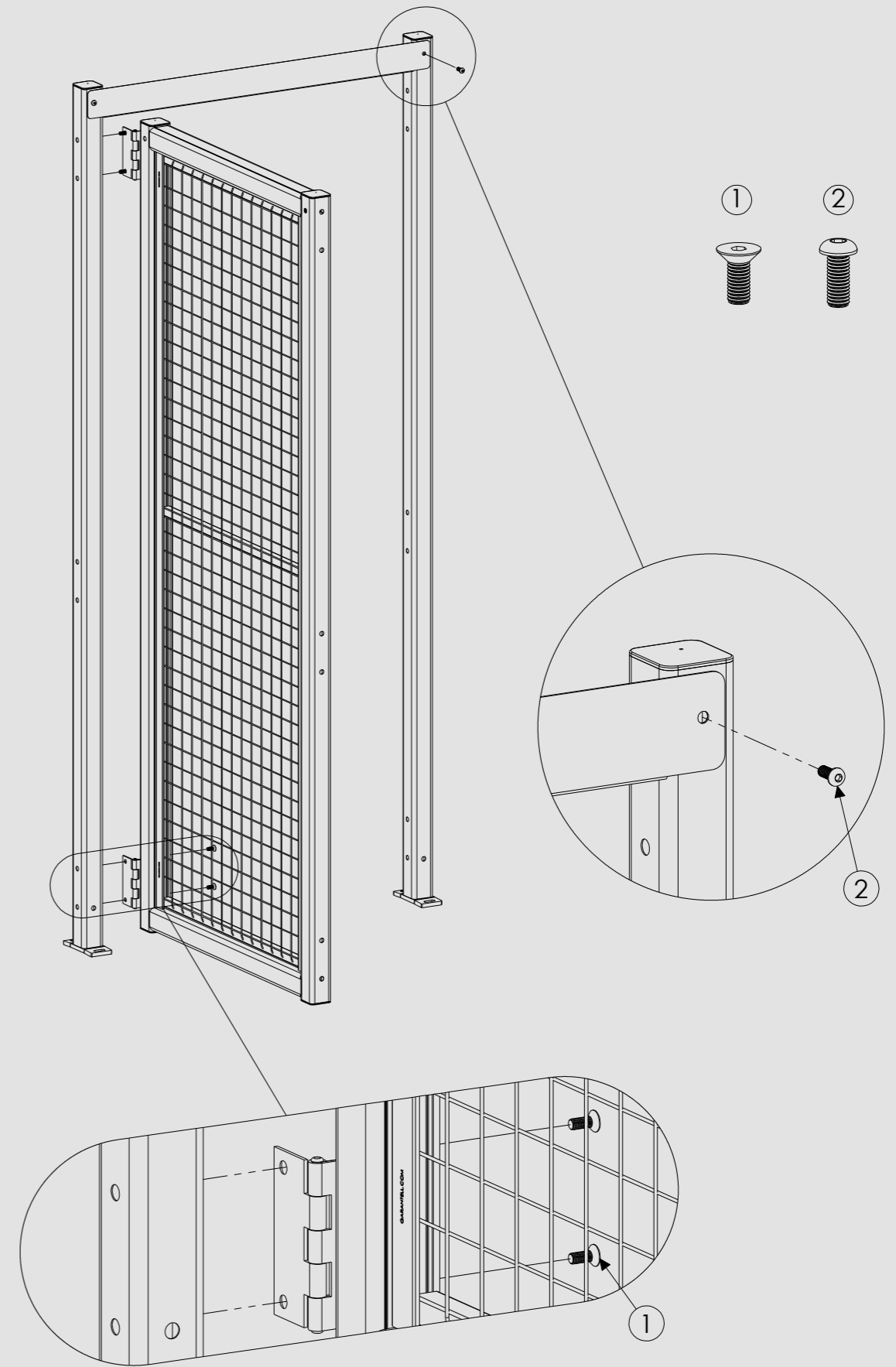


HORIZONTAL CUTTING



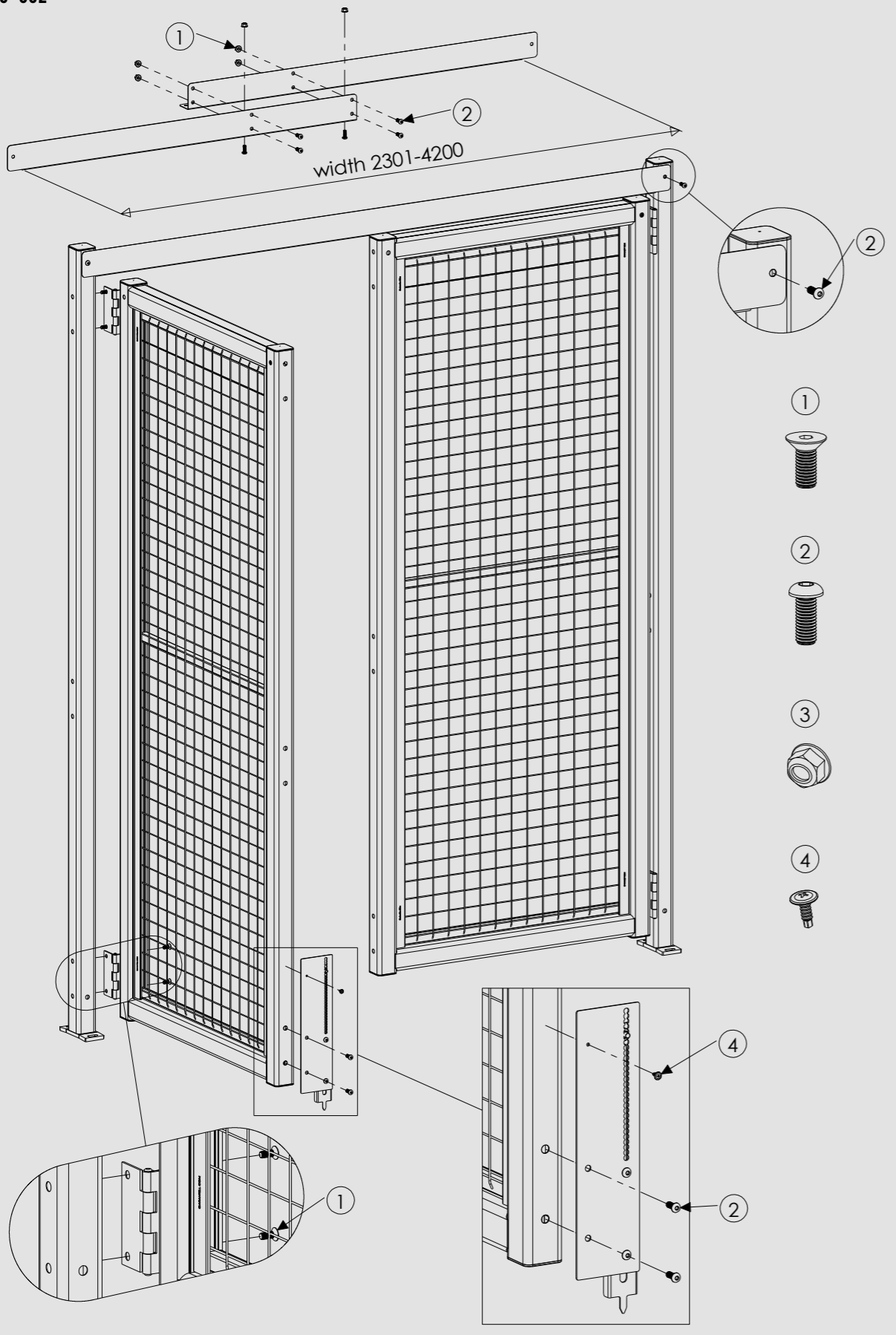
SINGLE HINGED DOOR

712-003-001



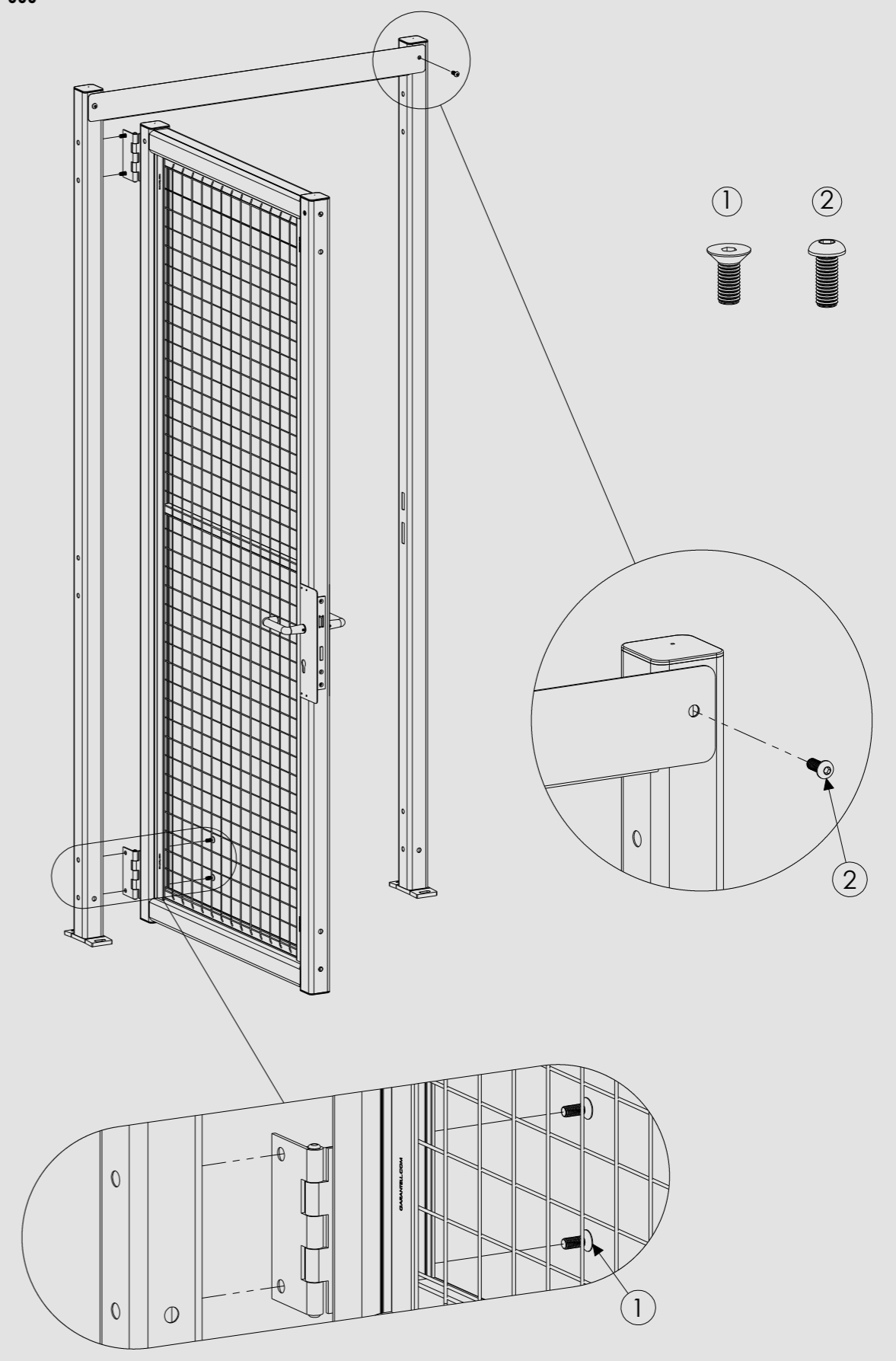
DOUBLE HINGED DOOR

712-003-002



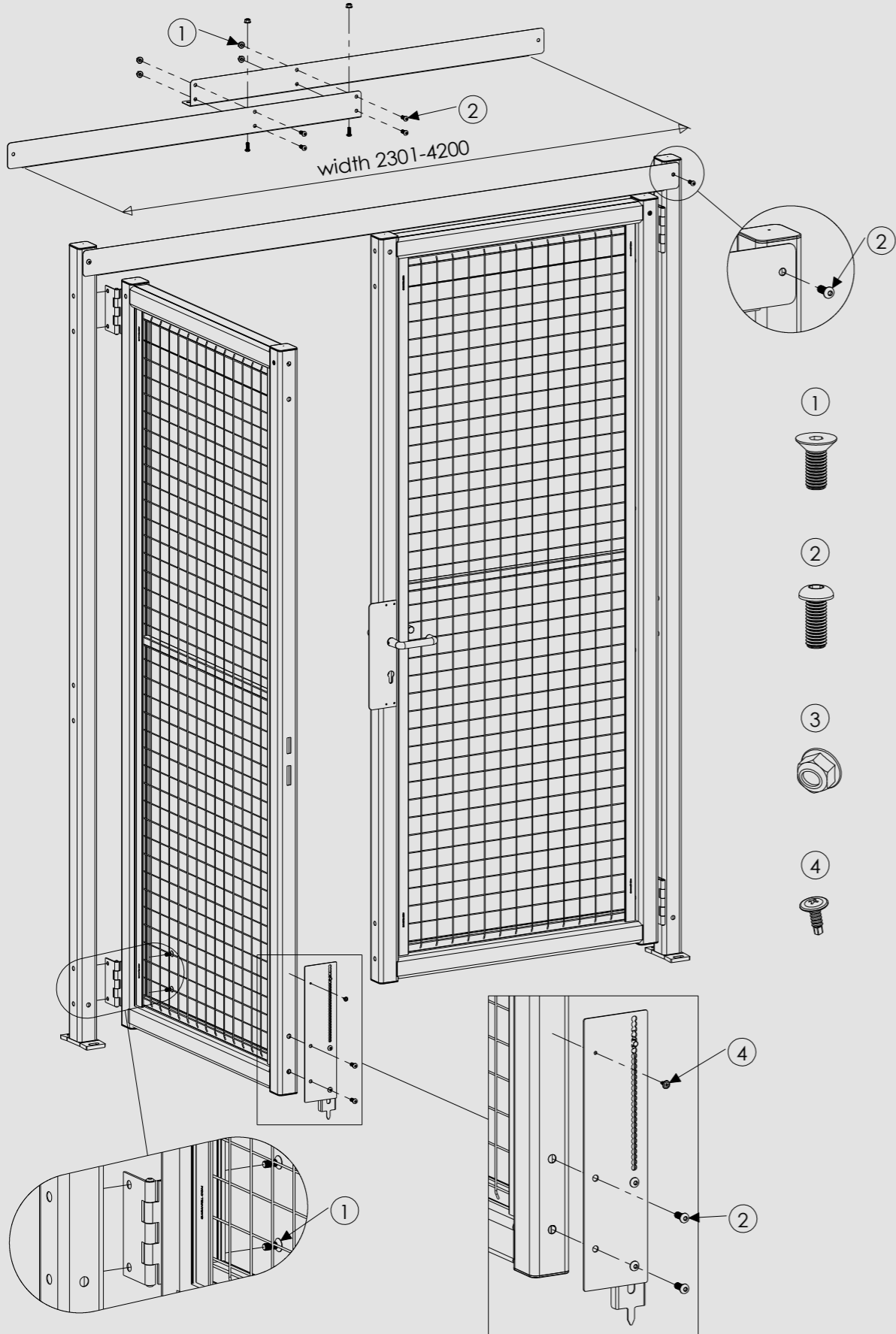
SINGLE HINGED DOOR, EURO CYLINDER LOCK

712-003-003



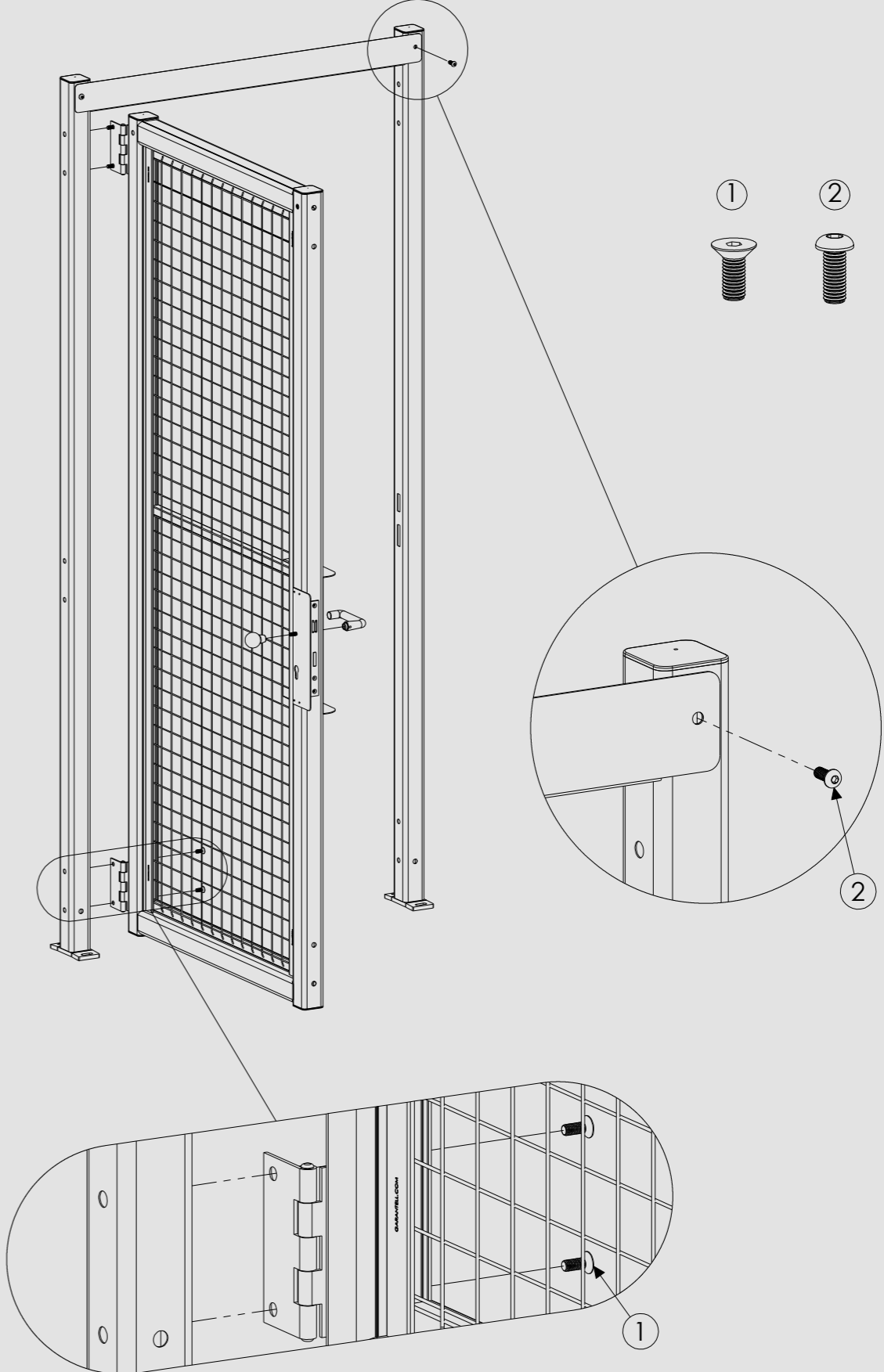
DOUBLE HINGED DOOR, EURO CYLINDER LOCK

712-003-004



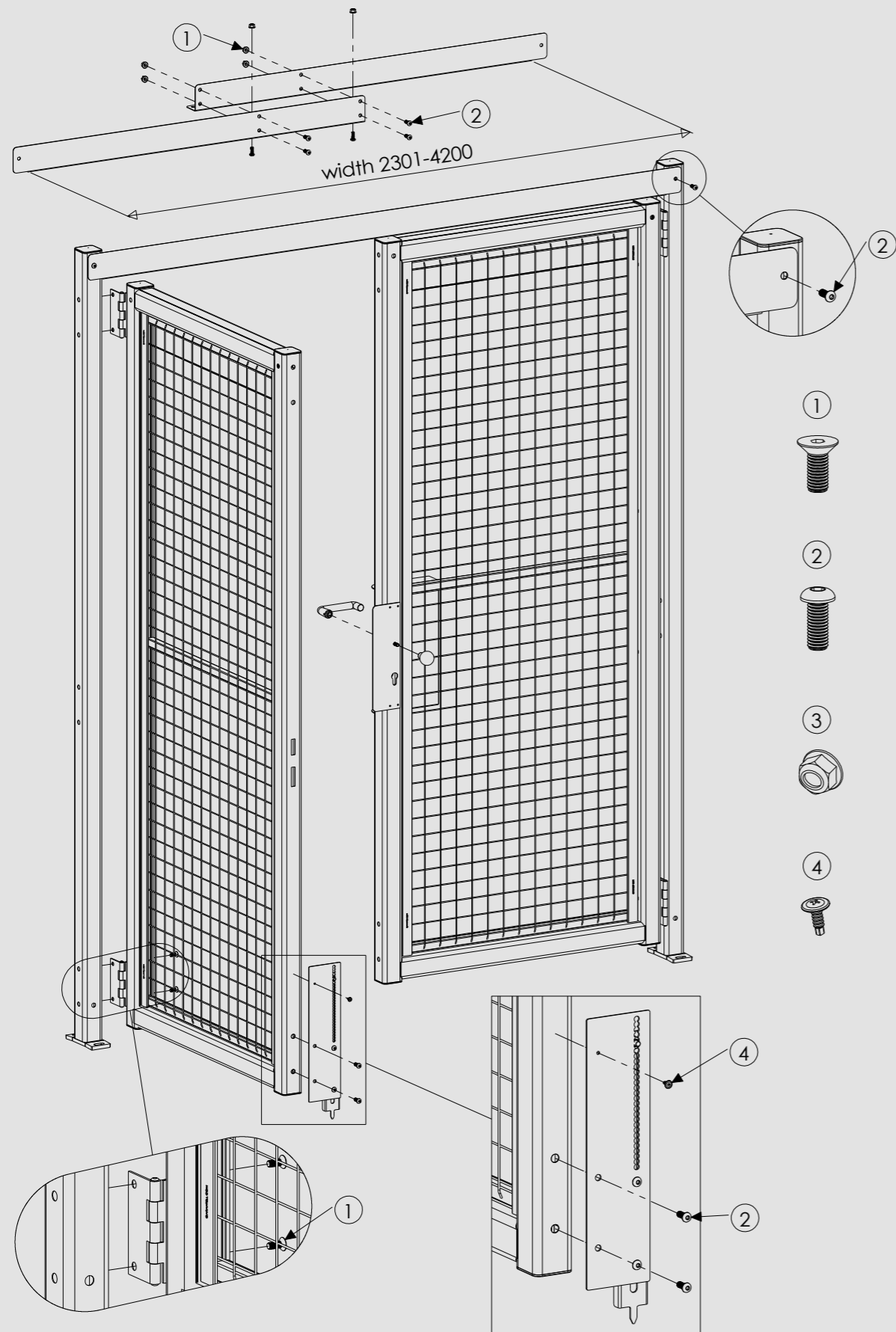
SINGLE HINGED DOOR, EURO CYLINDER LOCK WITH PANIC FUNCTION

712-003-005



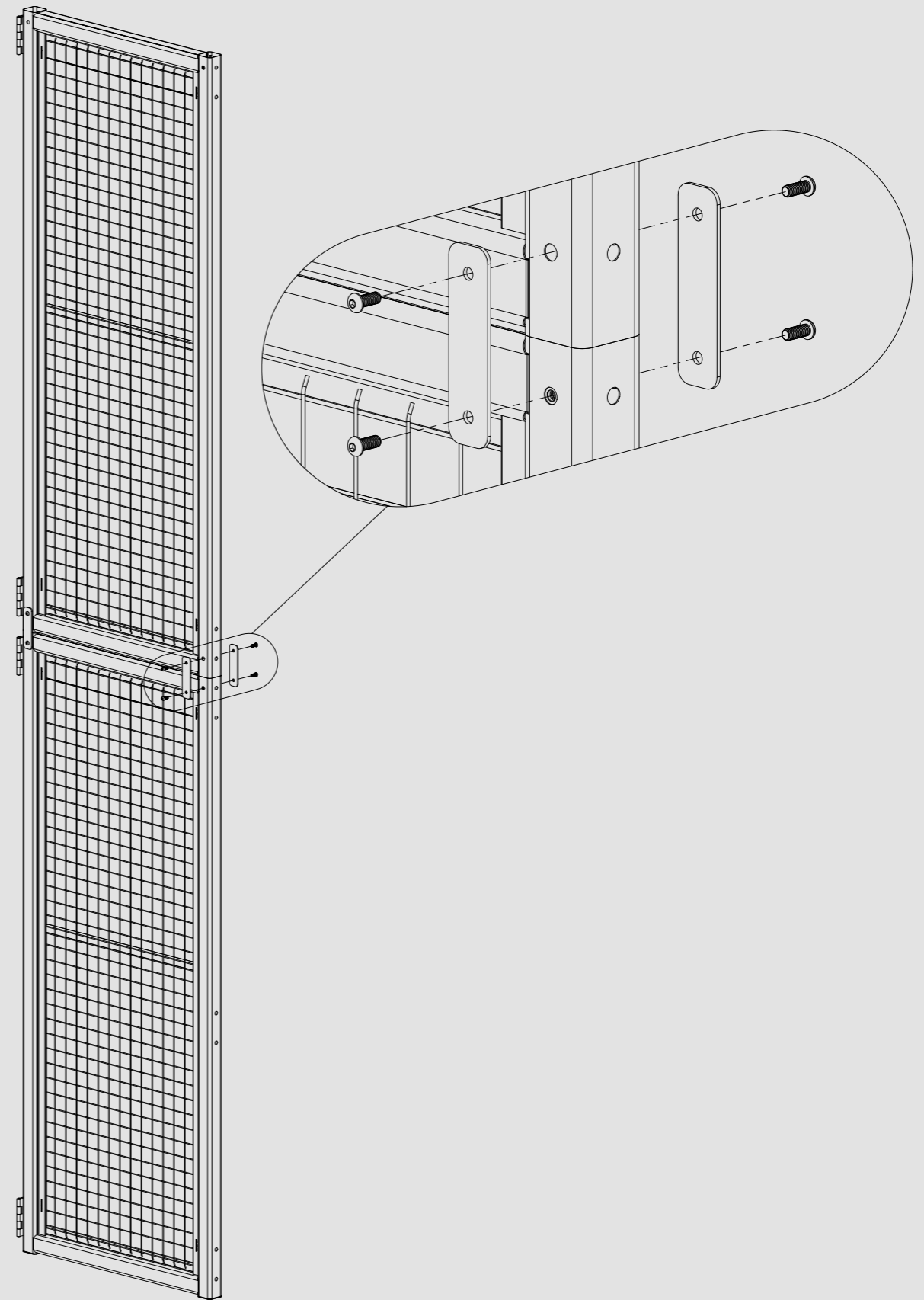
DOUBLE HINGED DOOR, EURO CYLINDER LOCK WITH PANIC FUNCTION

712-003-006



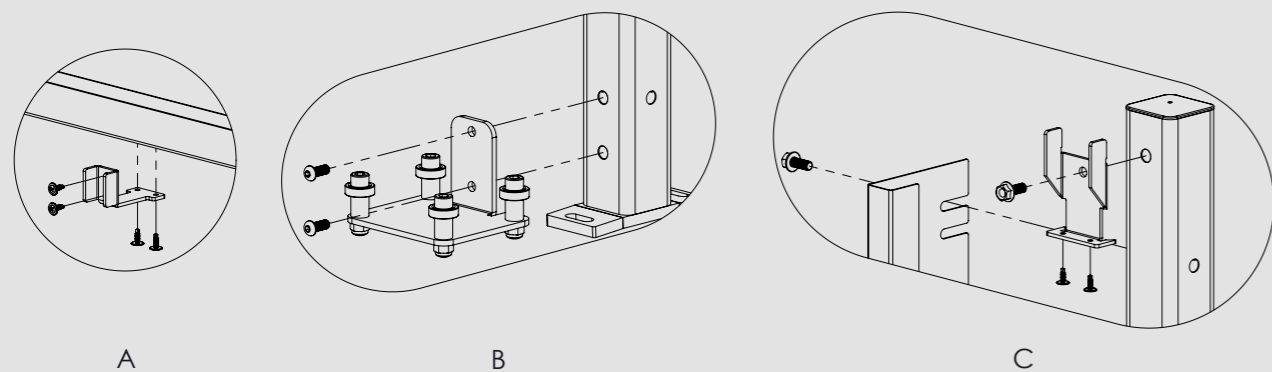
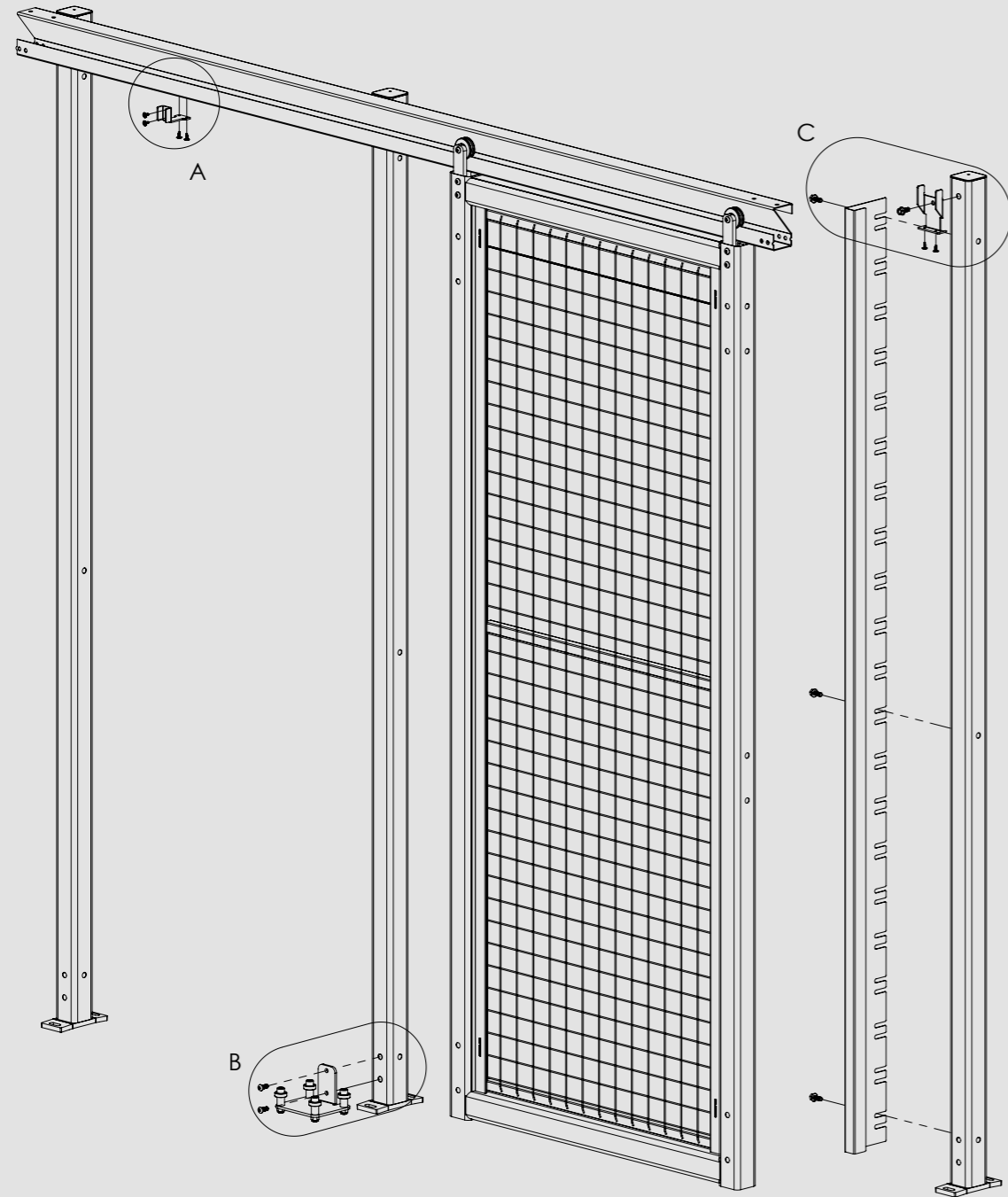
HINGED DOOR, HEIGHT EXTENSION

712-003-020



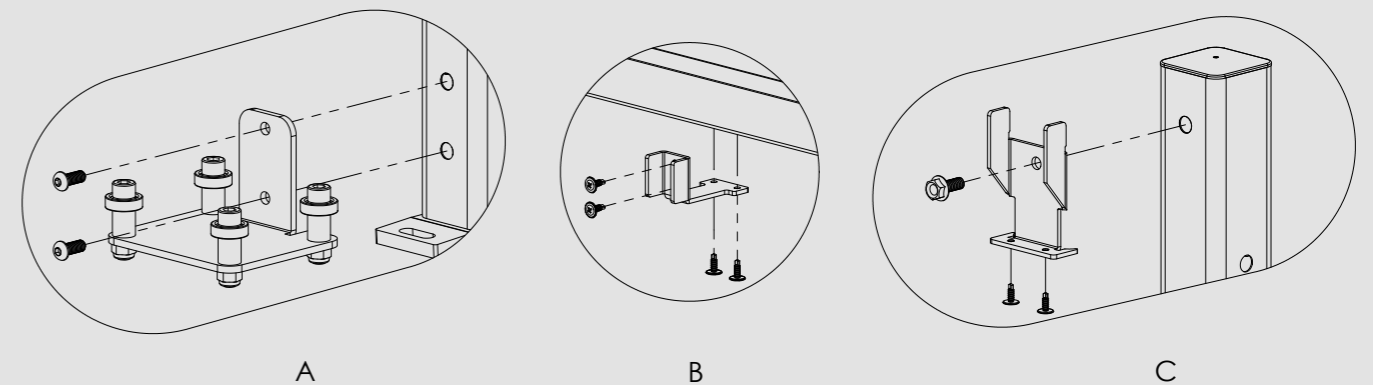
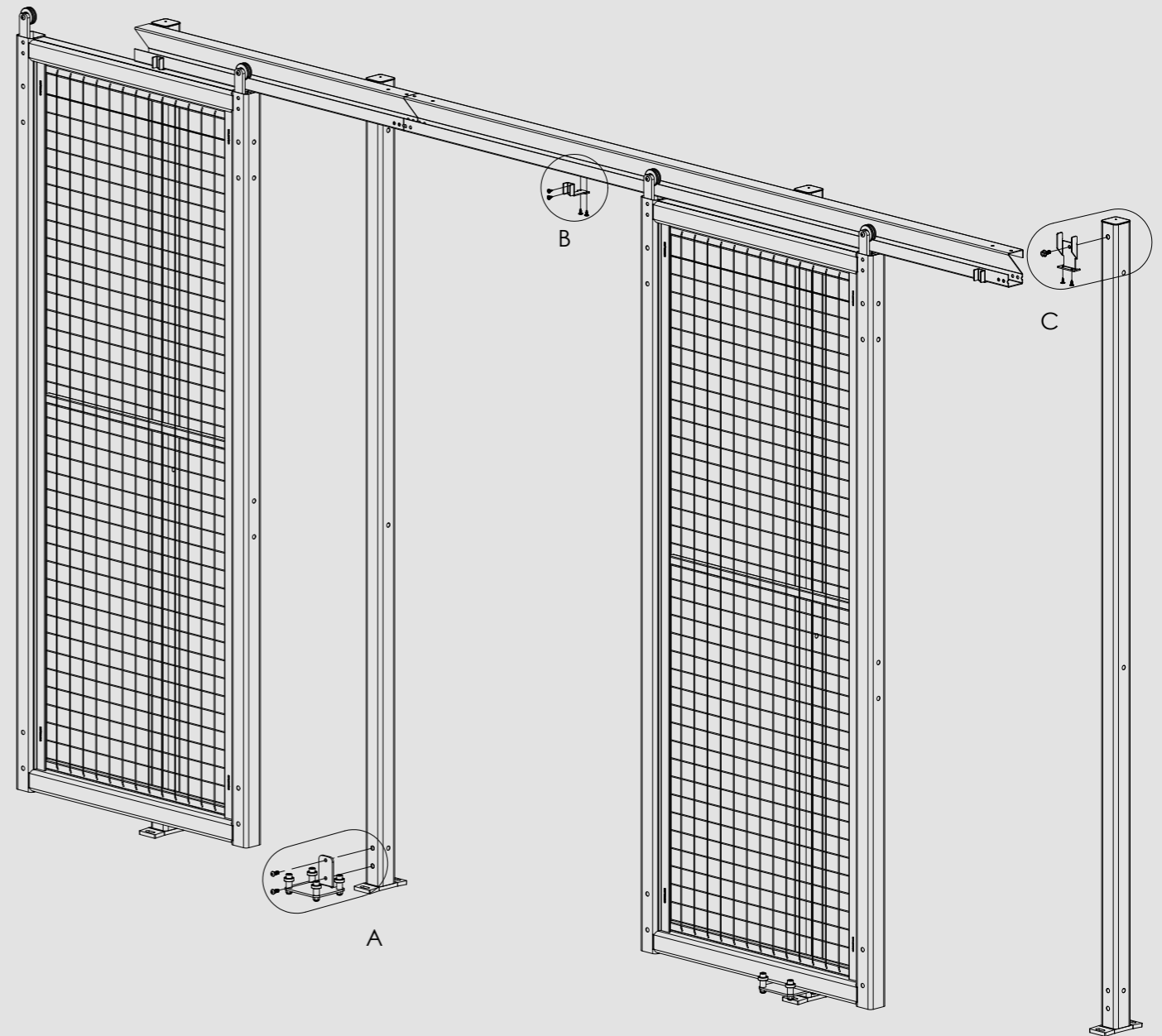
SINGLE TOP RAIL DOOR

713-003-001



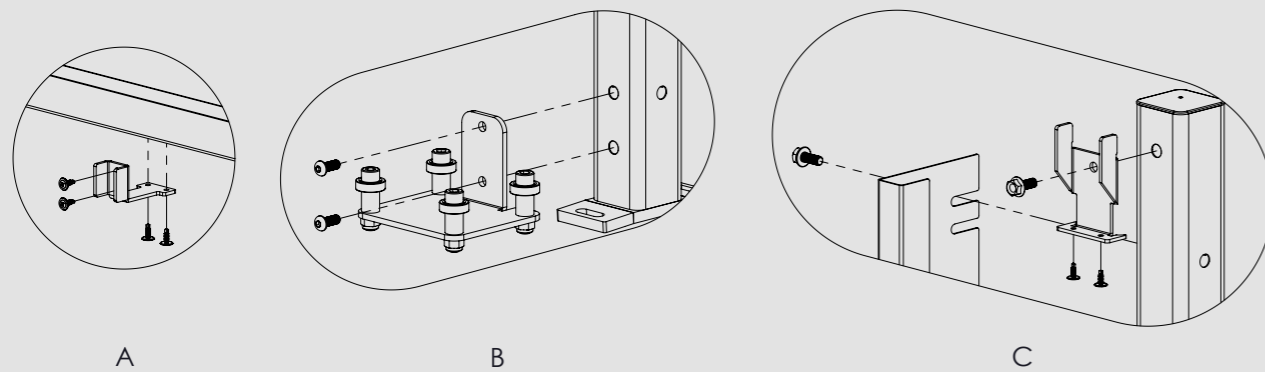
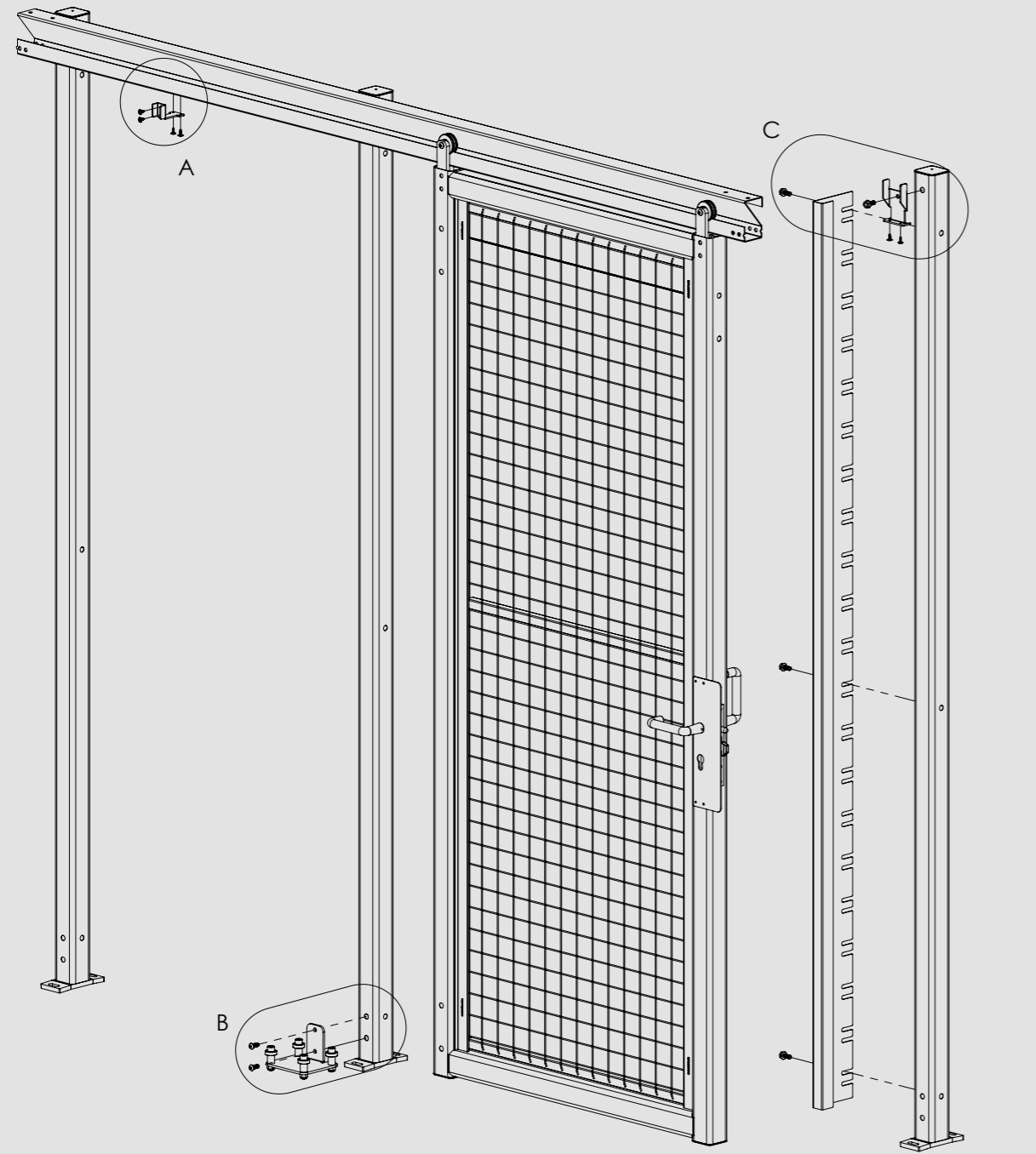
DOUBLE TOP RAIL DOOR

713-003-002



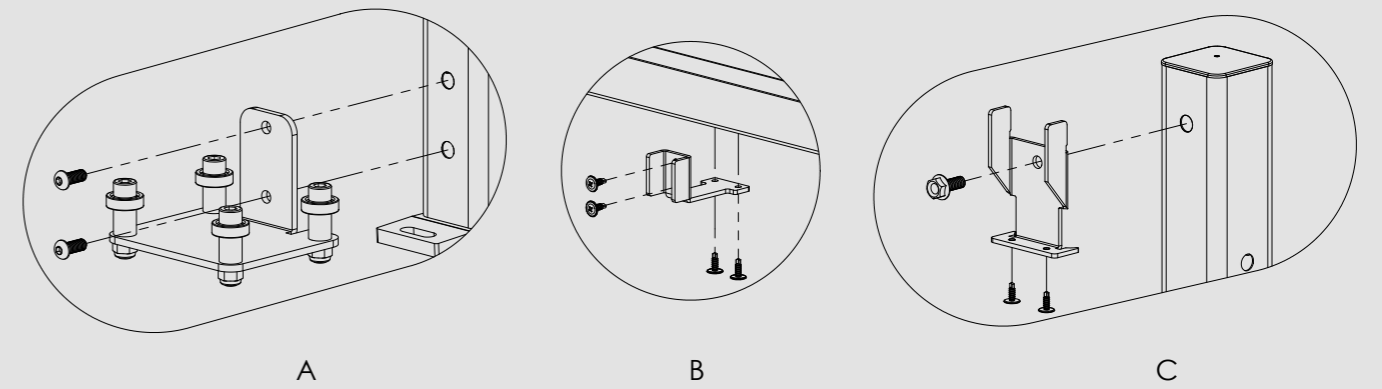
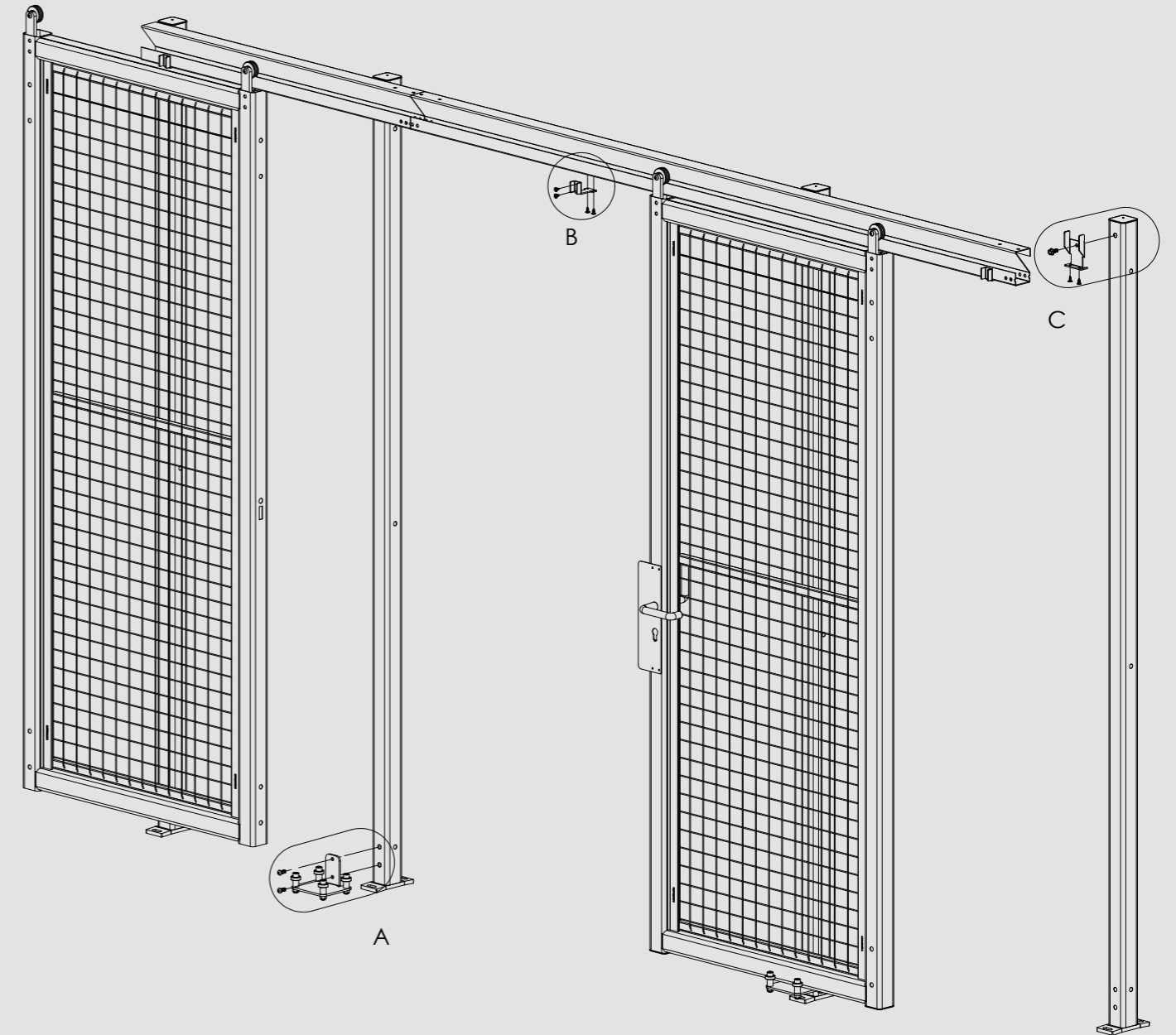
SINGLE TOP RAIL DOOR, EURO CYLINDER LOCK

713-003-003



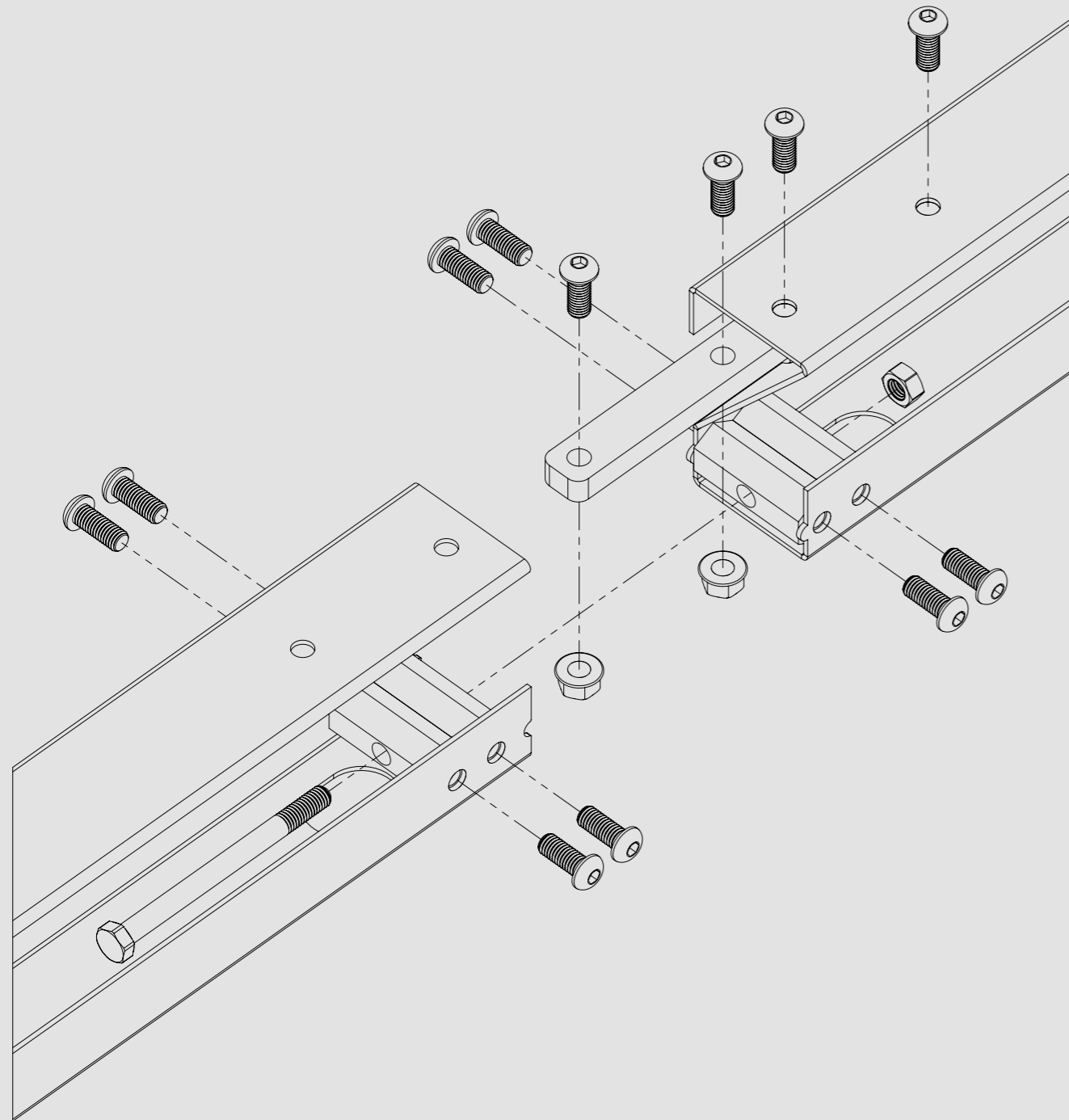
DOUBLE TOP RAIL DOOR, EURO CYLINDER LOCK

713-003-004



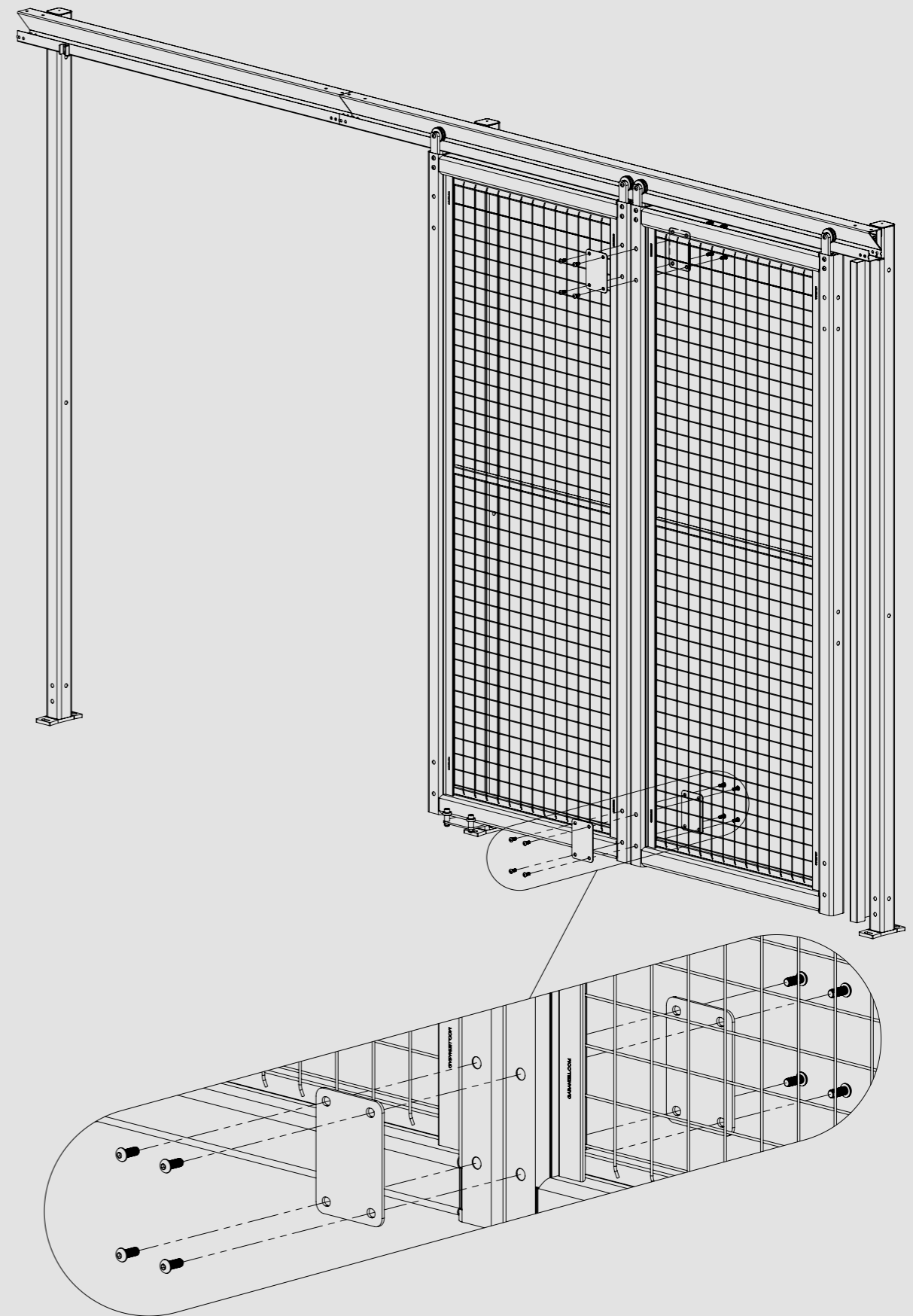
EXTENSIONS Z-PROFILES

713-003-006



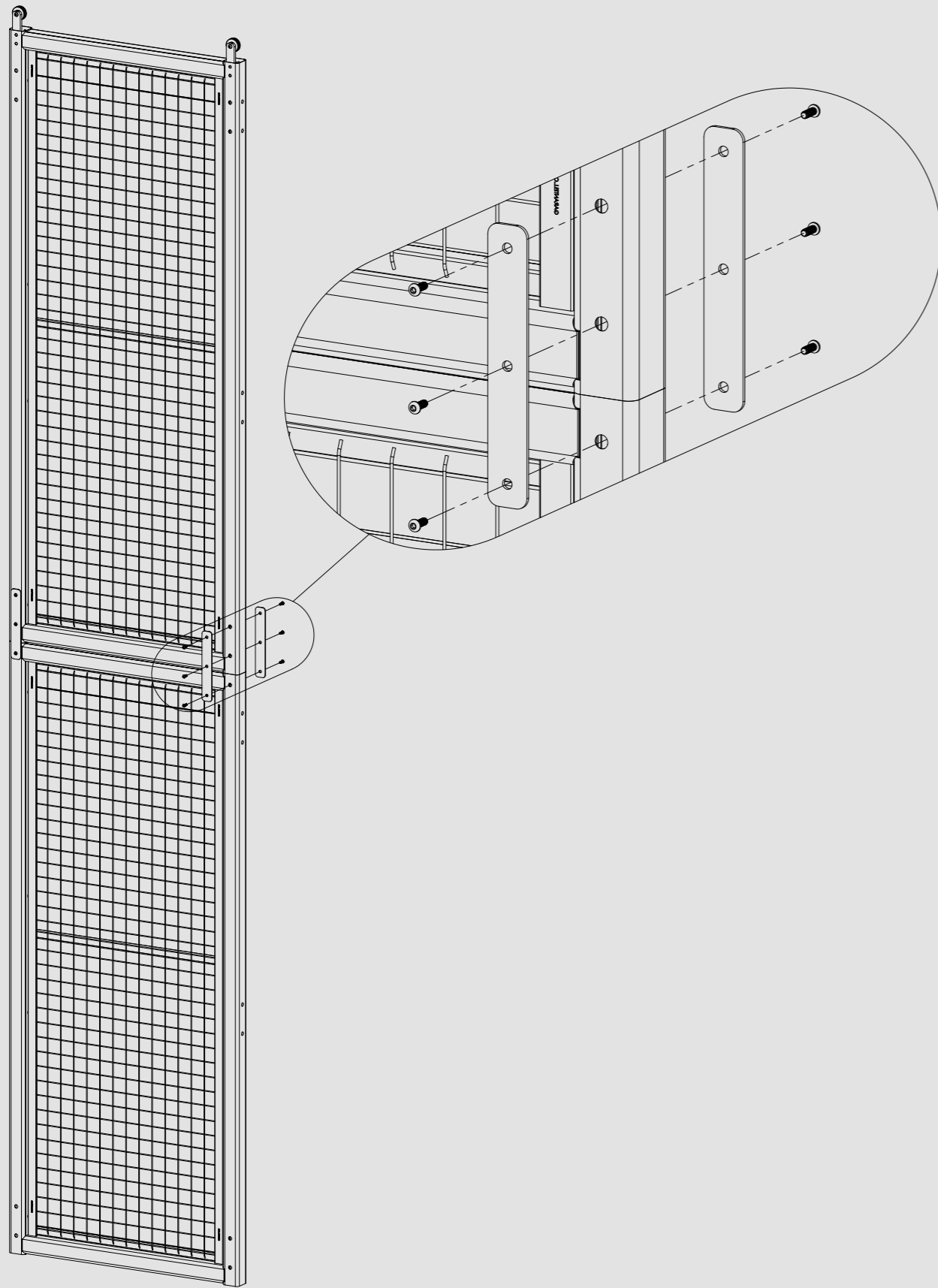
TOP RAIL DOOR WIDTH EXTENSION

713-003-005



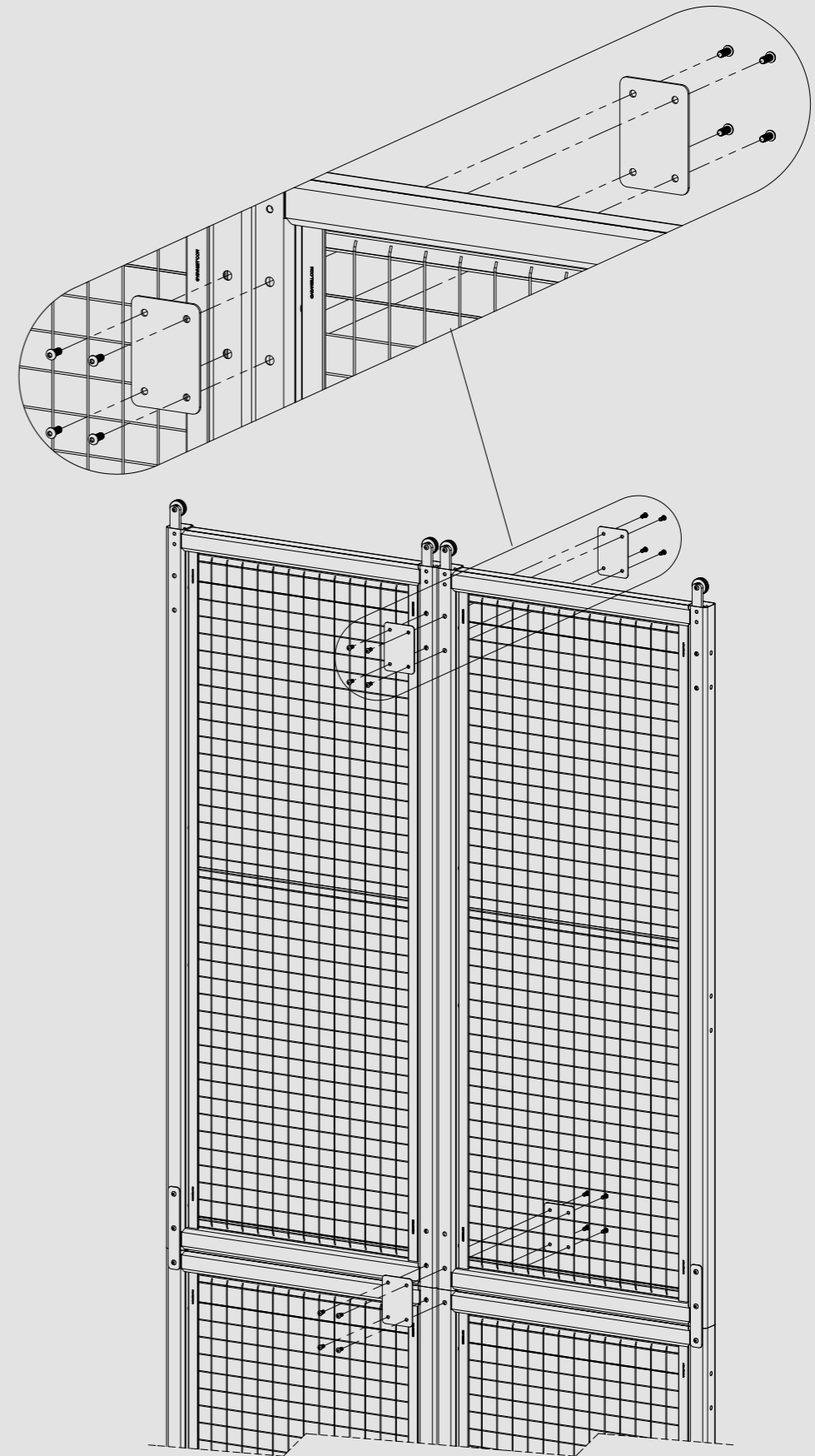
TOP RAIL DOOR, HEIGHT EXTENSION

713-003-008



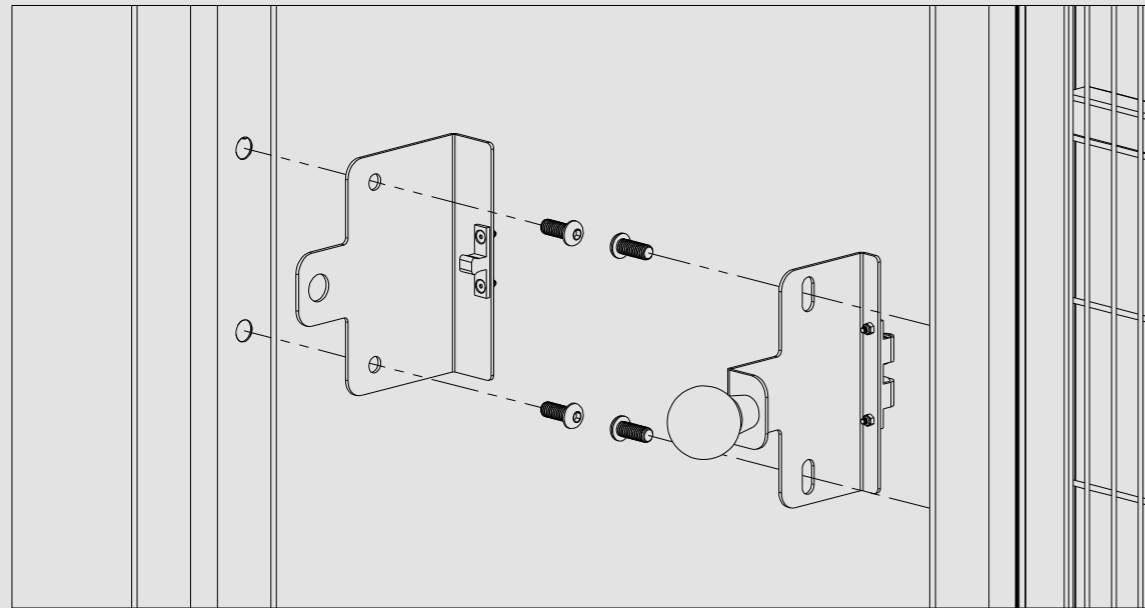
TOP RAIL DOOR WIDTH EXTENSION ON HEIGHT EXTENSION

713-003-009



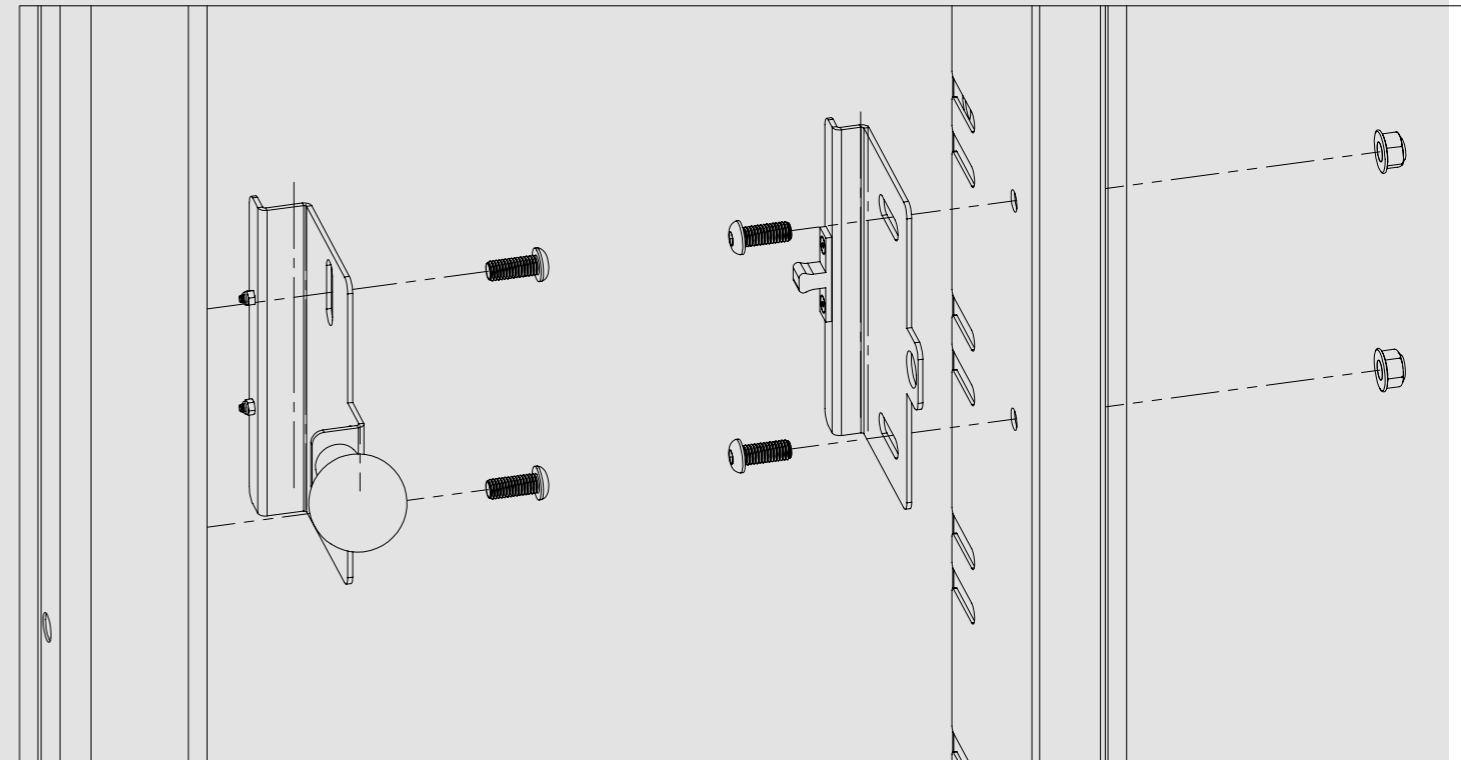
PADLOCK PLATES, HINGED DOOR

711-003-001



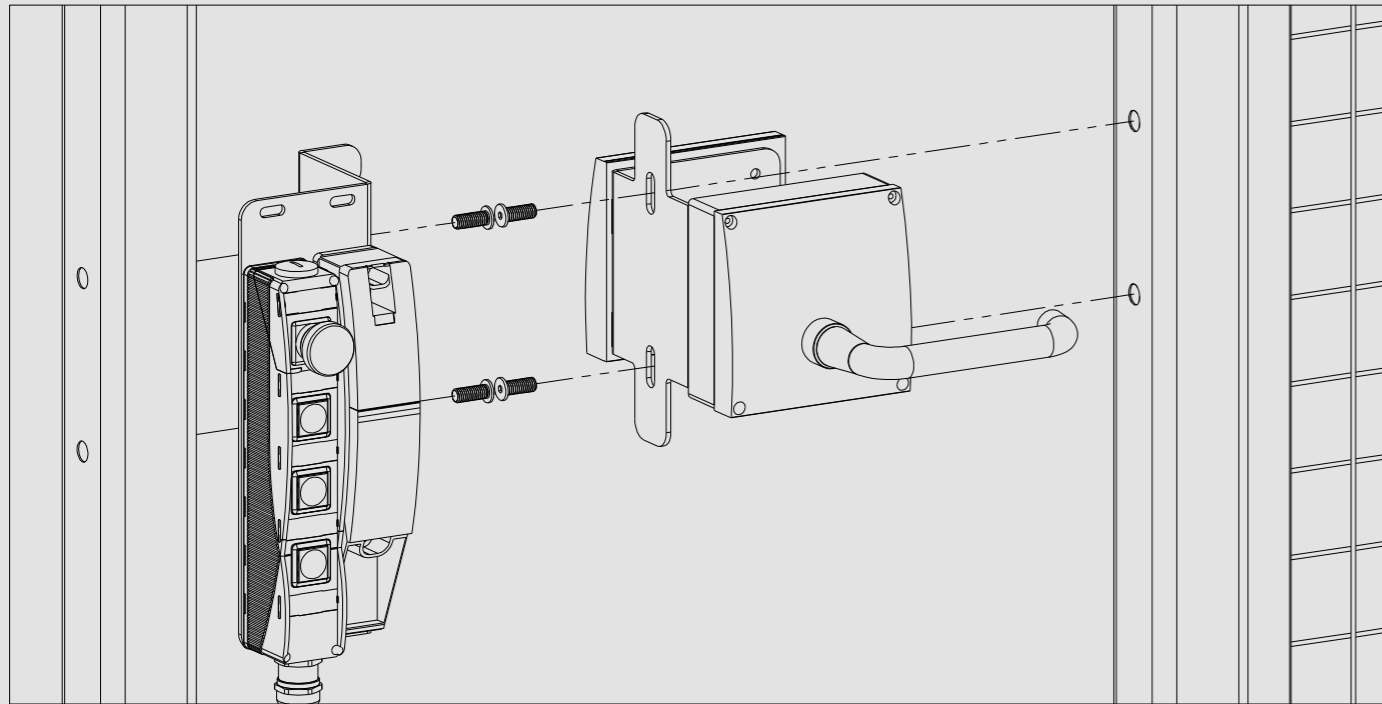
PADLOCK PLATES, SLIDING DOOR

711-003-002



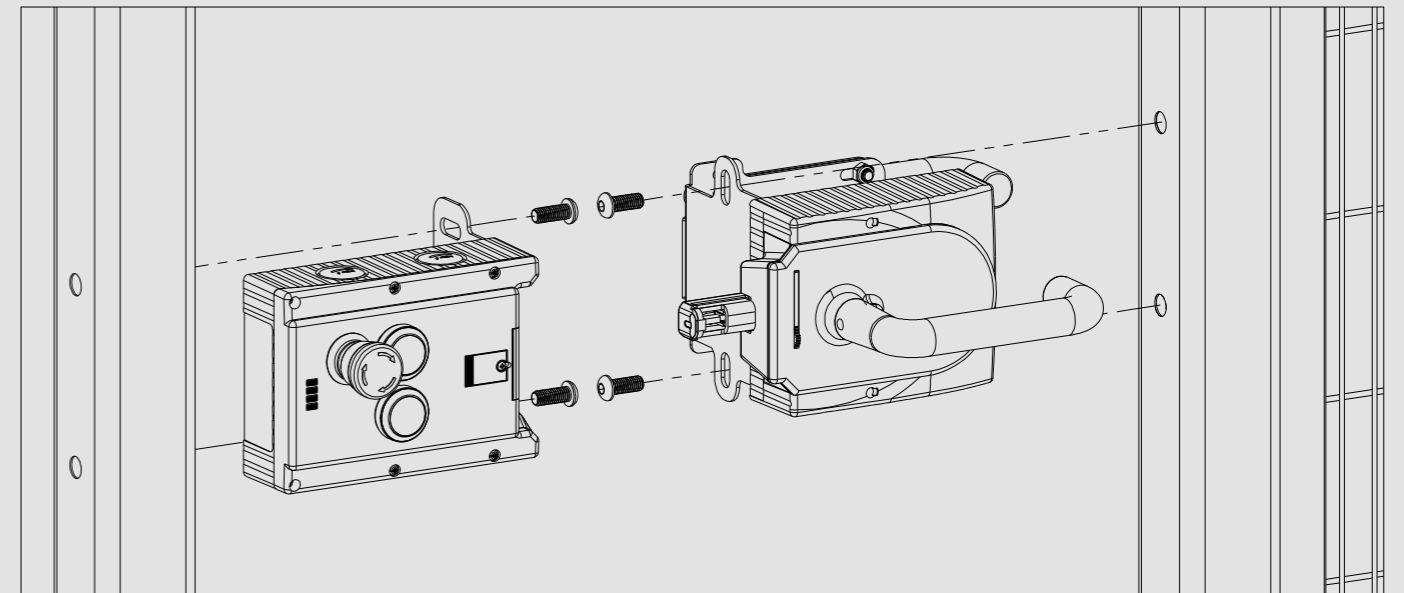
FITTINGS FOR SCHMERSAL AZM 201

711-003-003



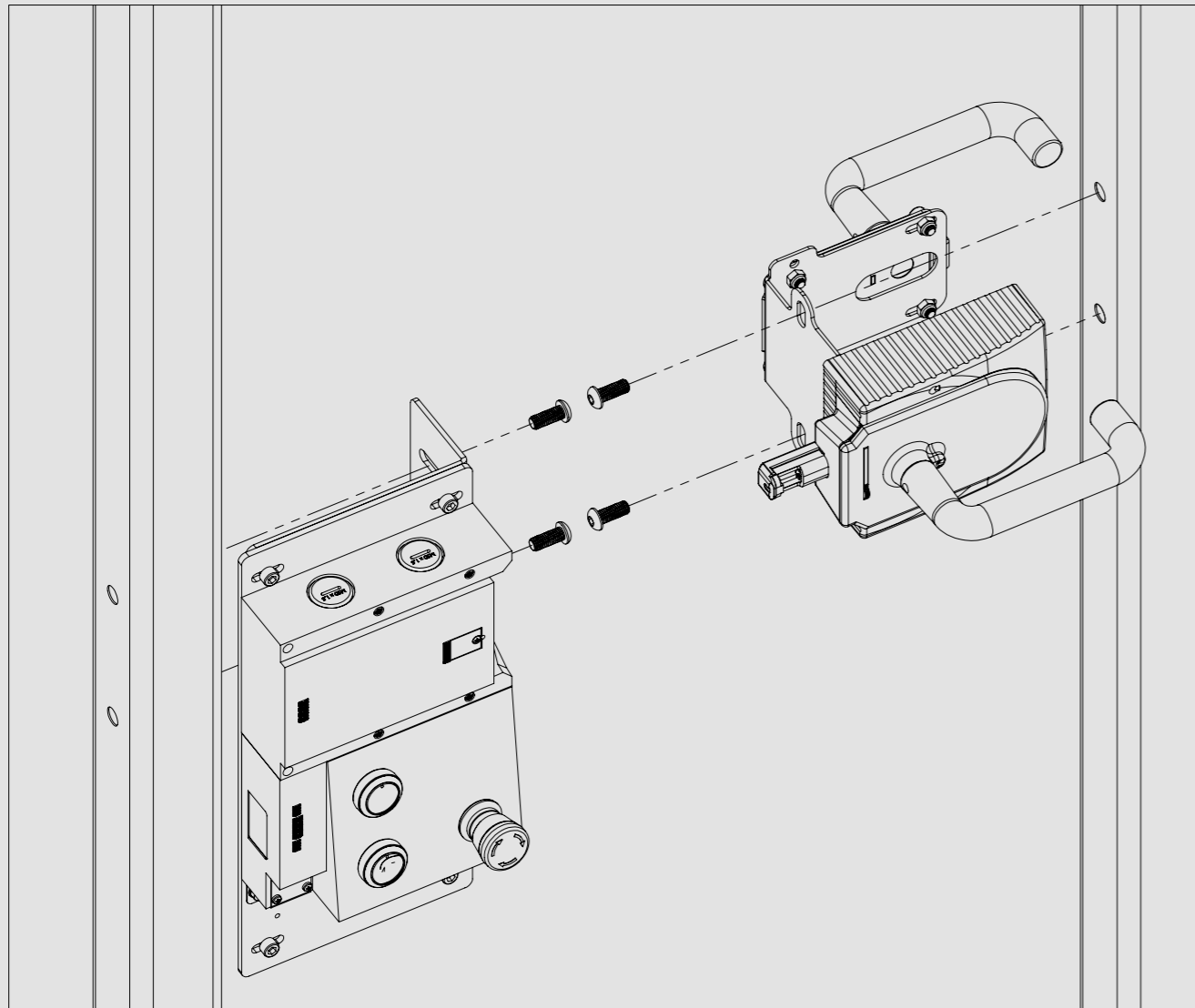
FITTINGS FOR EUCHNER MGB

711-003-004



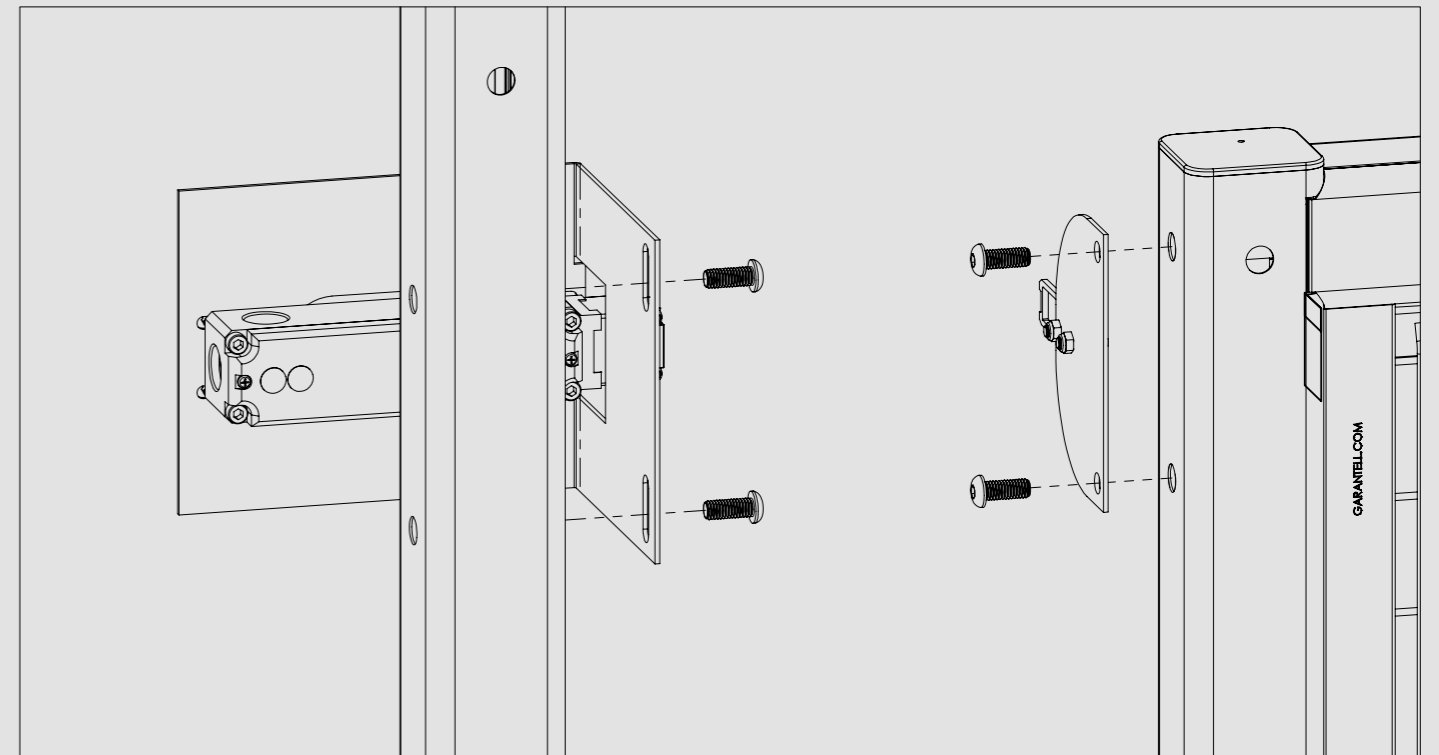
FITTINGS FOR EUCHNER MGB-L1HB

711-003-014



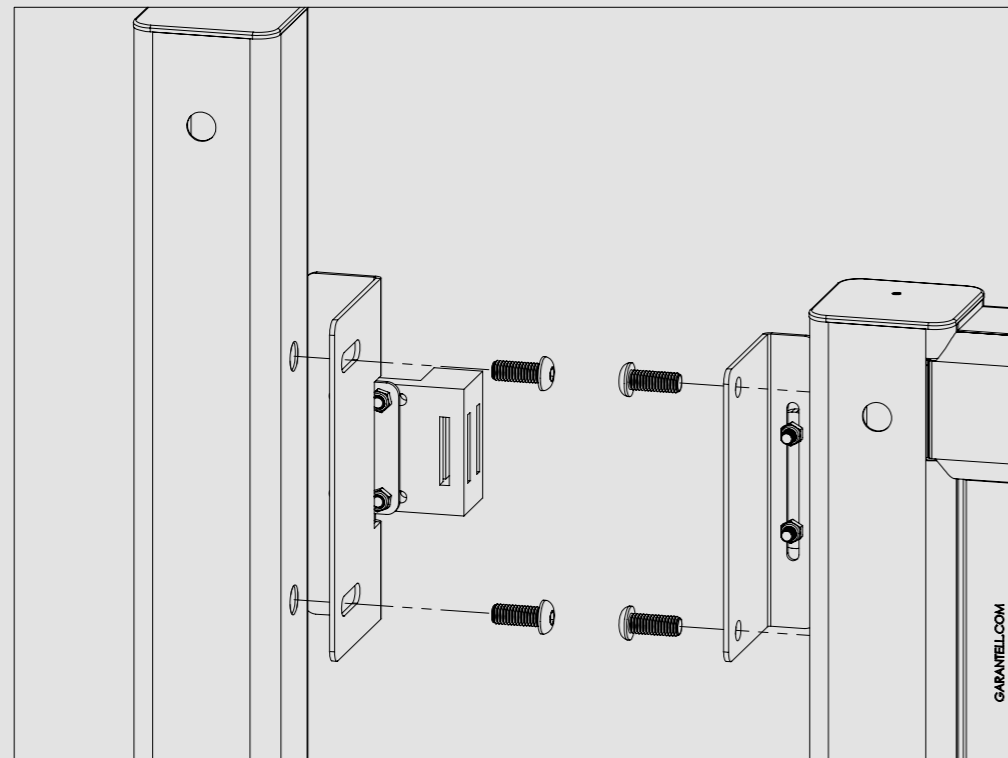
FITTINGS FOR EUCHNER STA3, HINGED DOOR

711-003-005



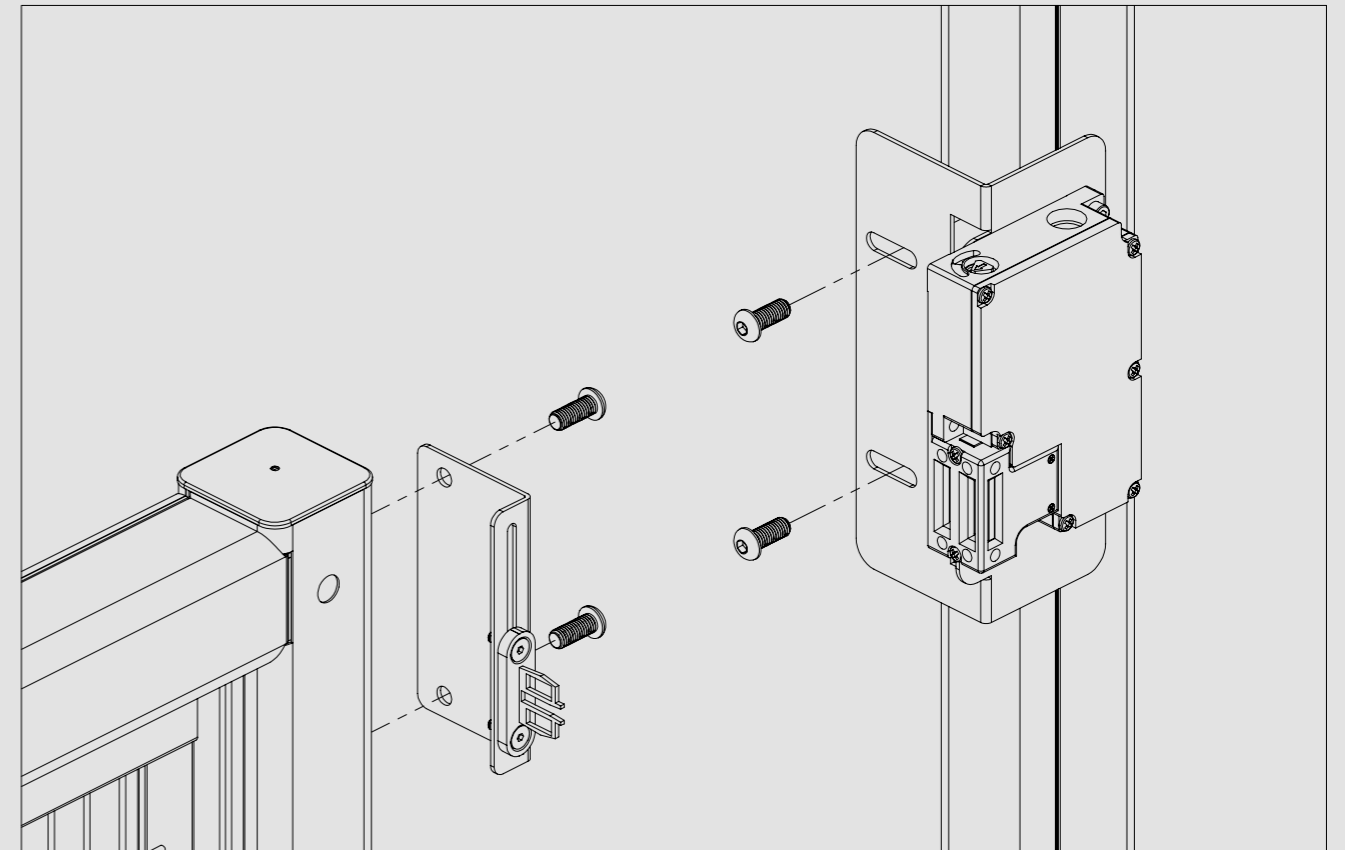
FITTINGS FOR SCHMERSAL AZ16

711-003-006



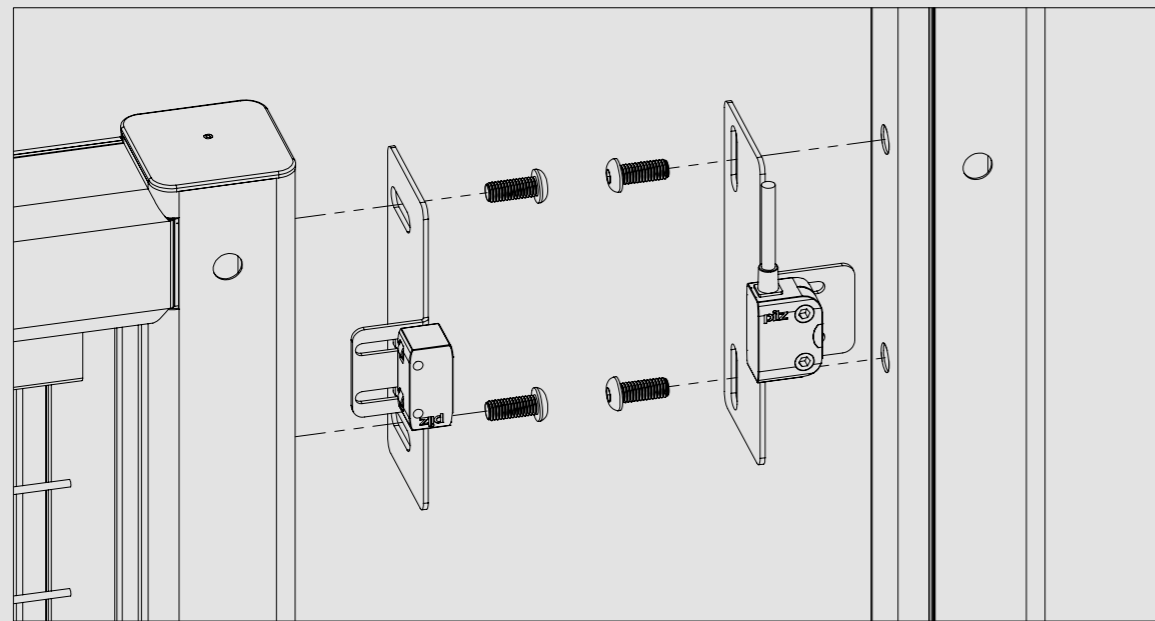
FITTINGS FOR SCHMERSAL AZM 161

711-003-007



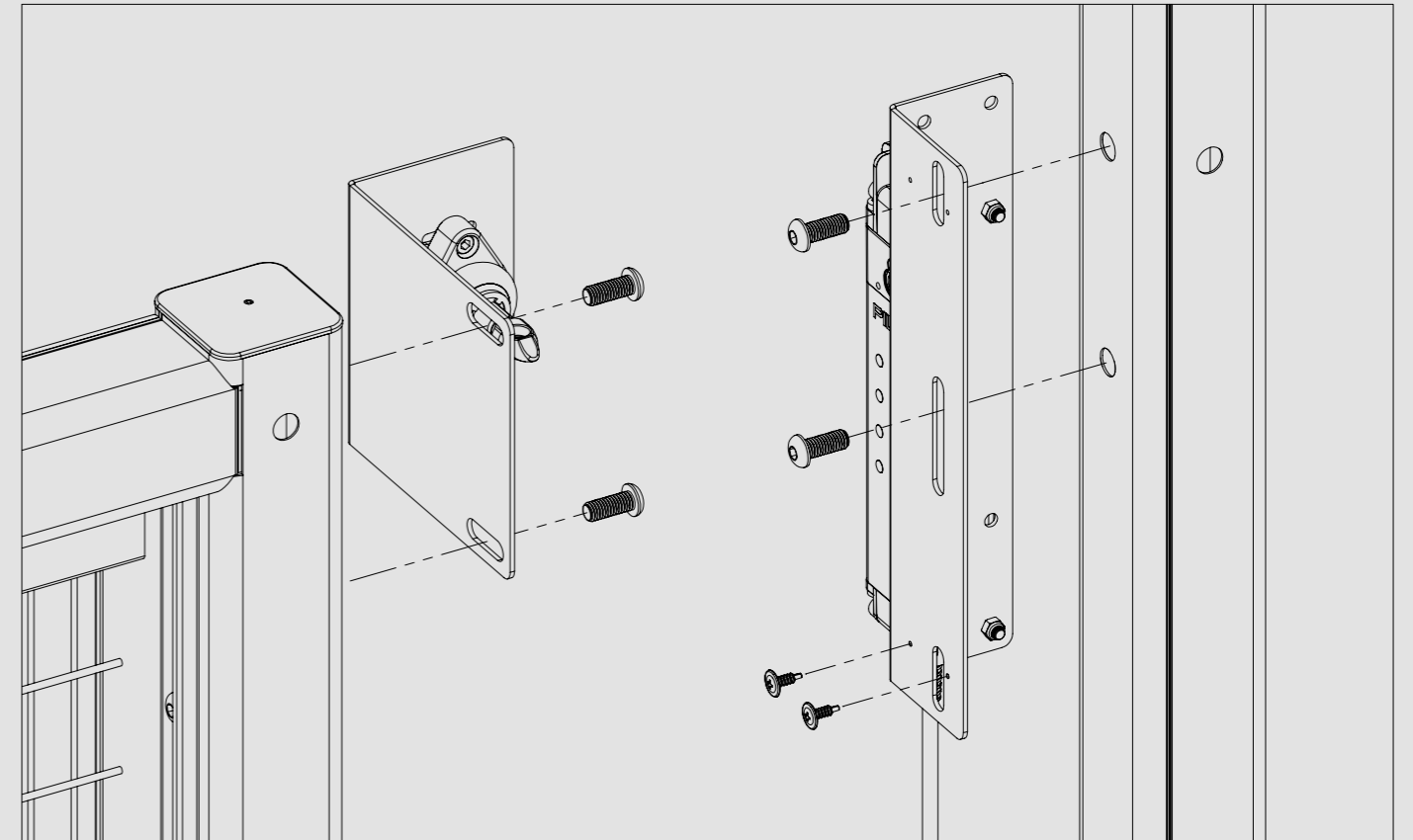
FITTINGS FOR PILZ PSEN MAG

711-003-008



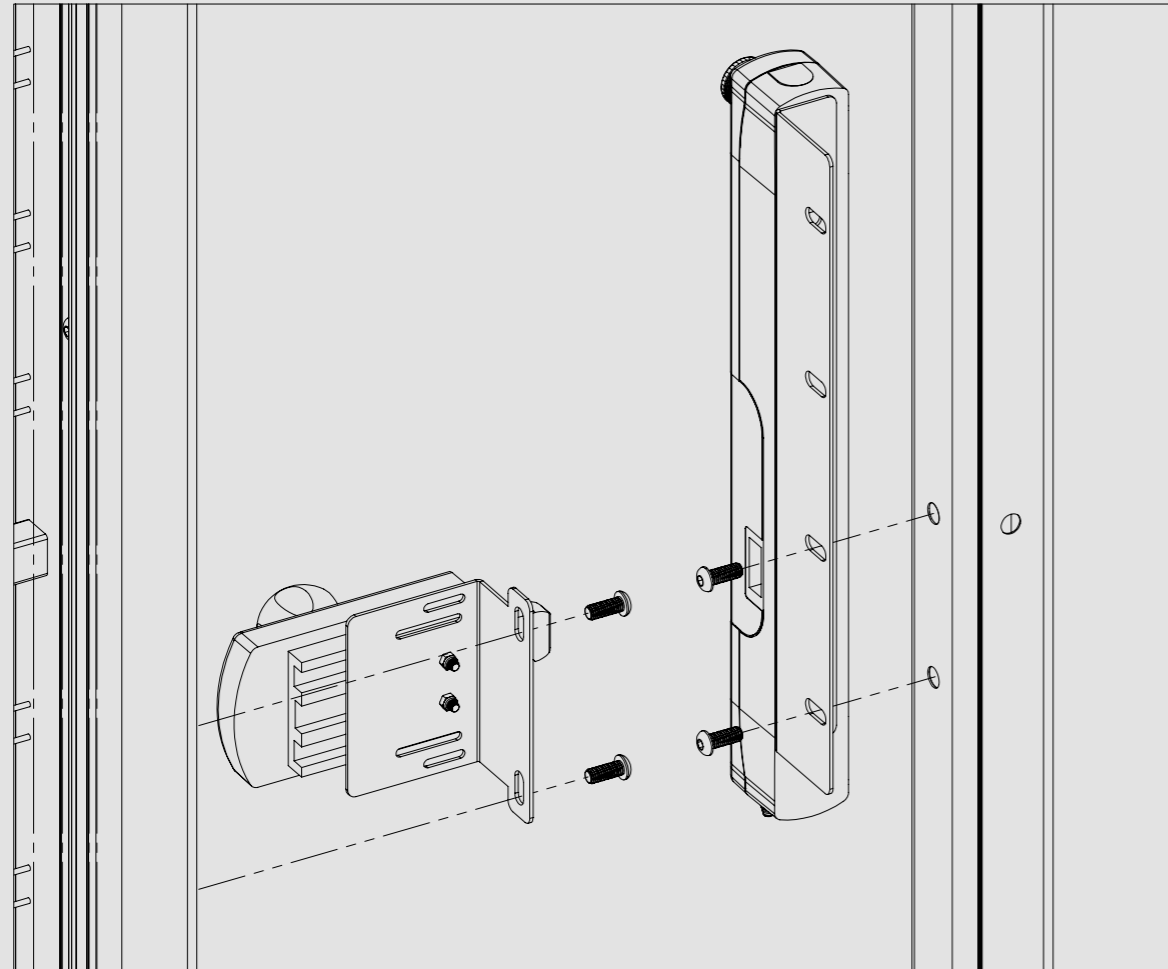
FITTINGS FOR PILZ PSEN M LOCK

711-003-009



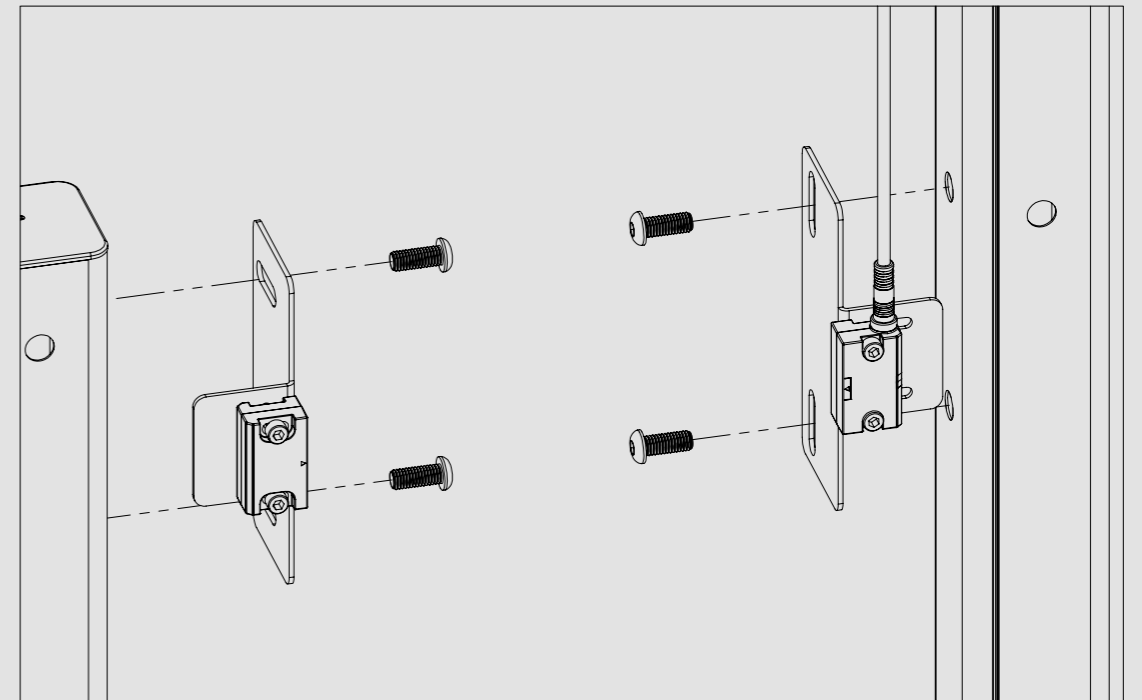
FITTINGS FOR PILZ PSEN SGATE

711-003-011



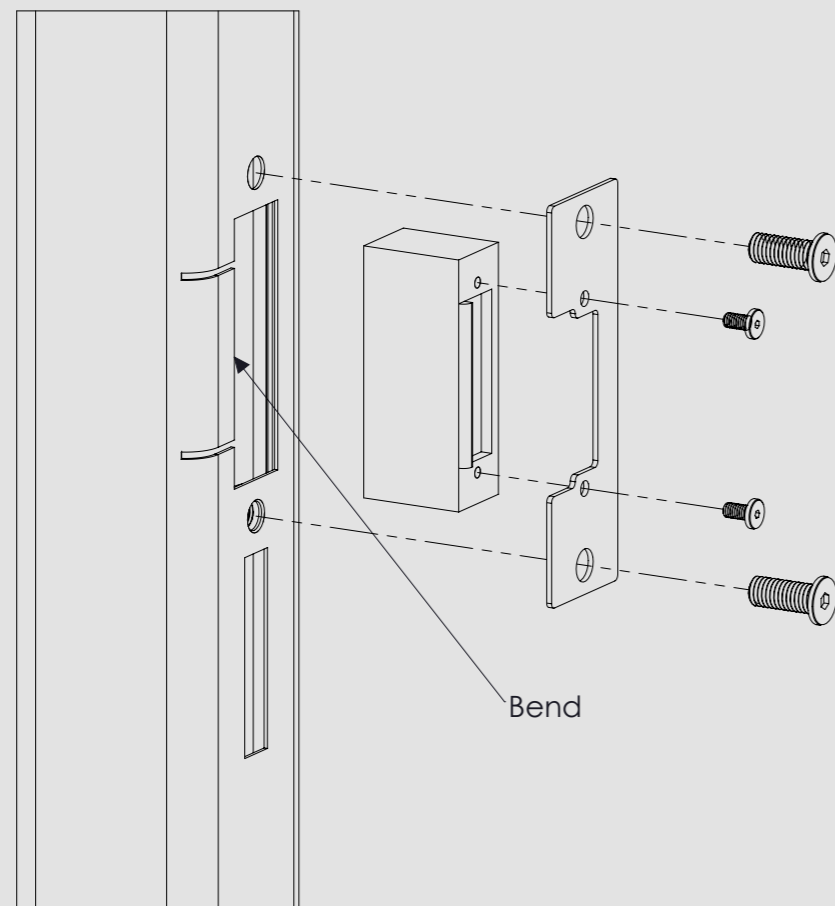
FITTINGS FOR EUCHNER CES-I-AP-M-C04

711-003-012



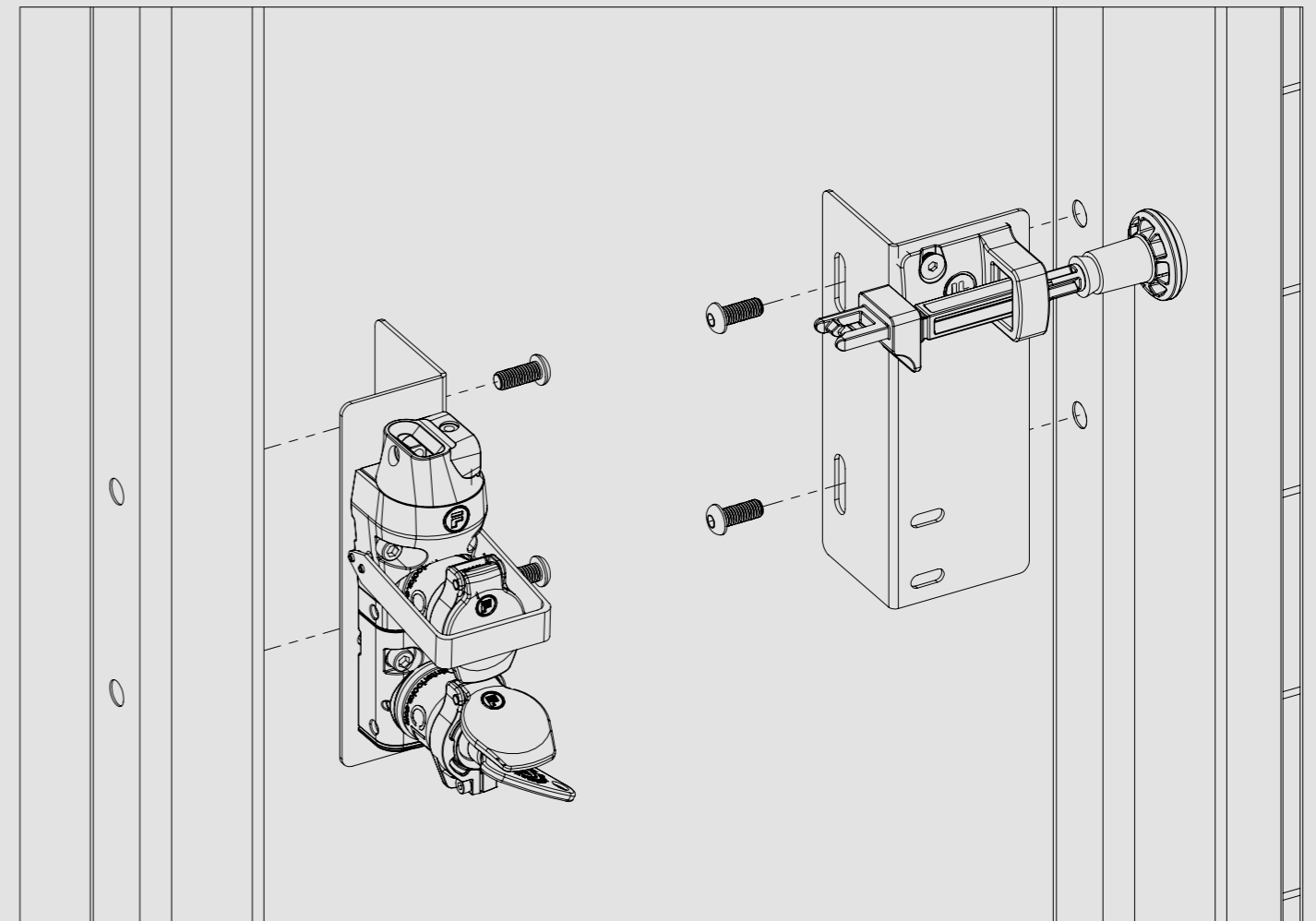
ELECTRIC STRIKE HINGED DOOR, EURO CYLINDER LOCK

711-003-013



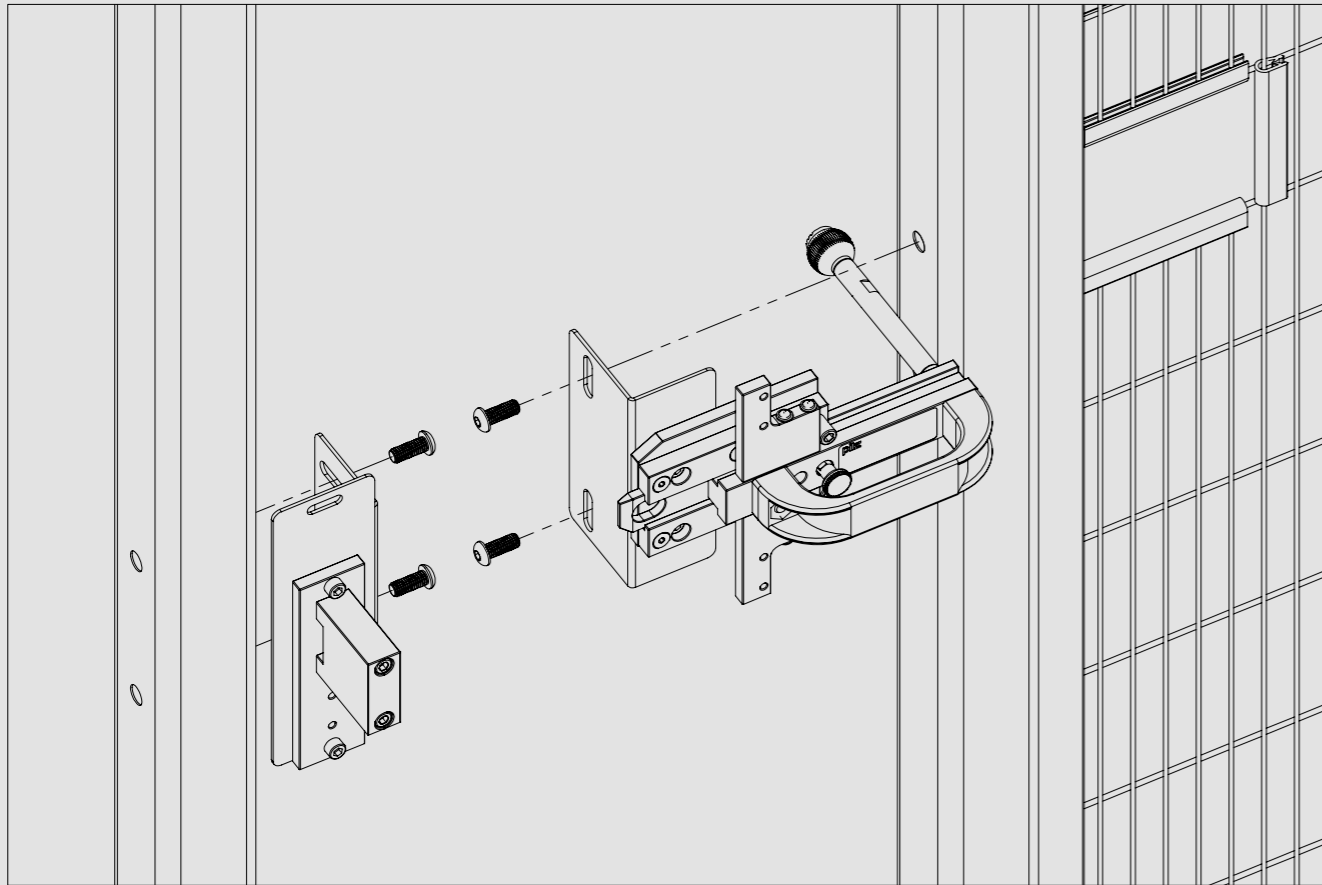
FITTINGS FOR FORTRESS DMS2E

711-003-015



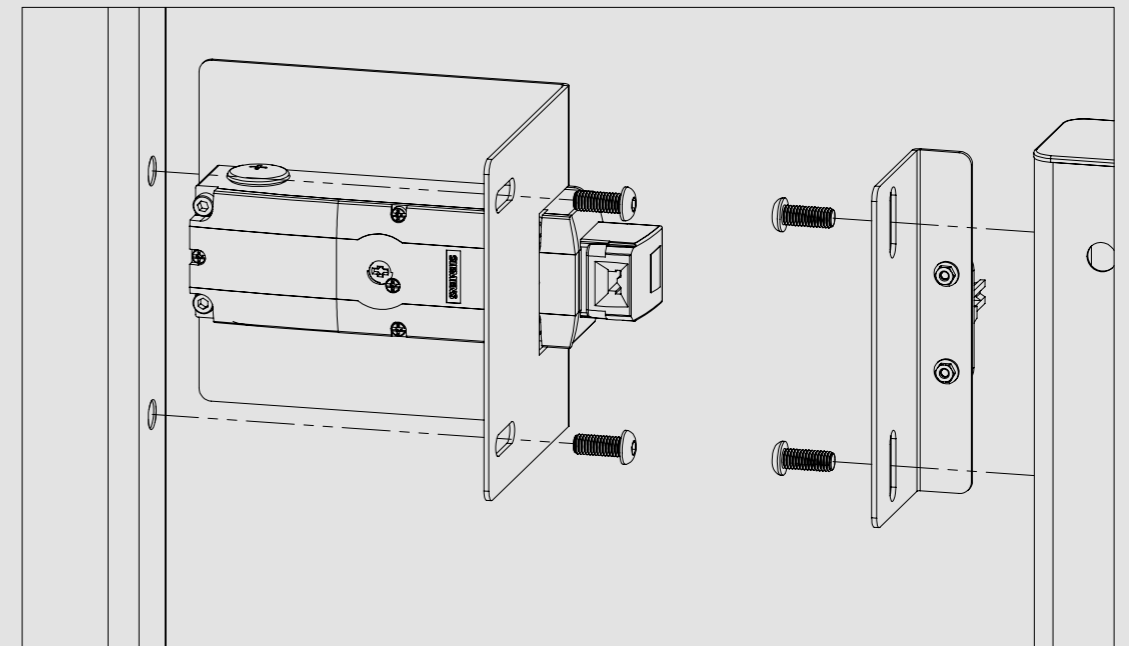
FITTINGS FOR PSEN BOLT-B4,1

711-003-016



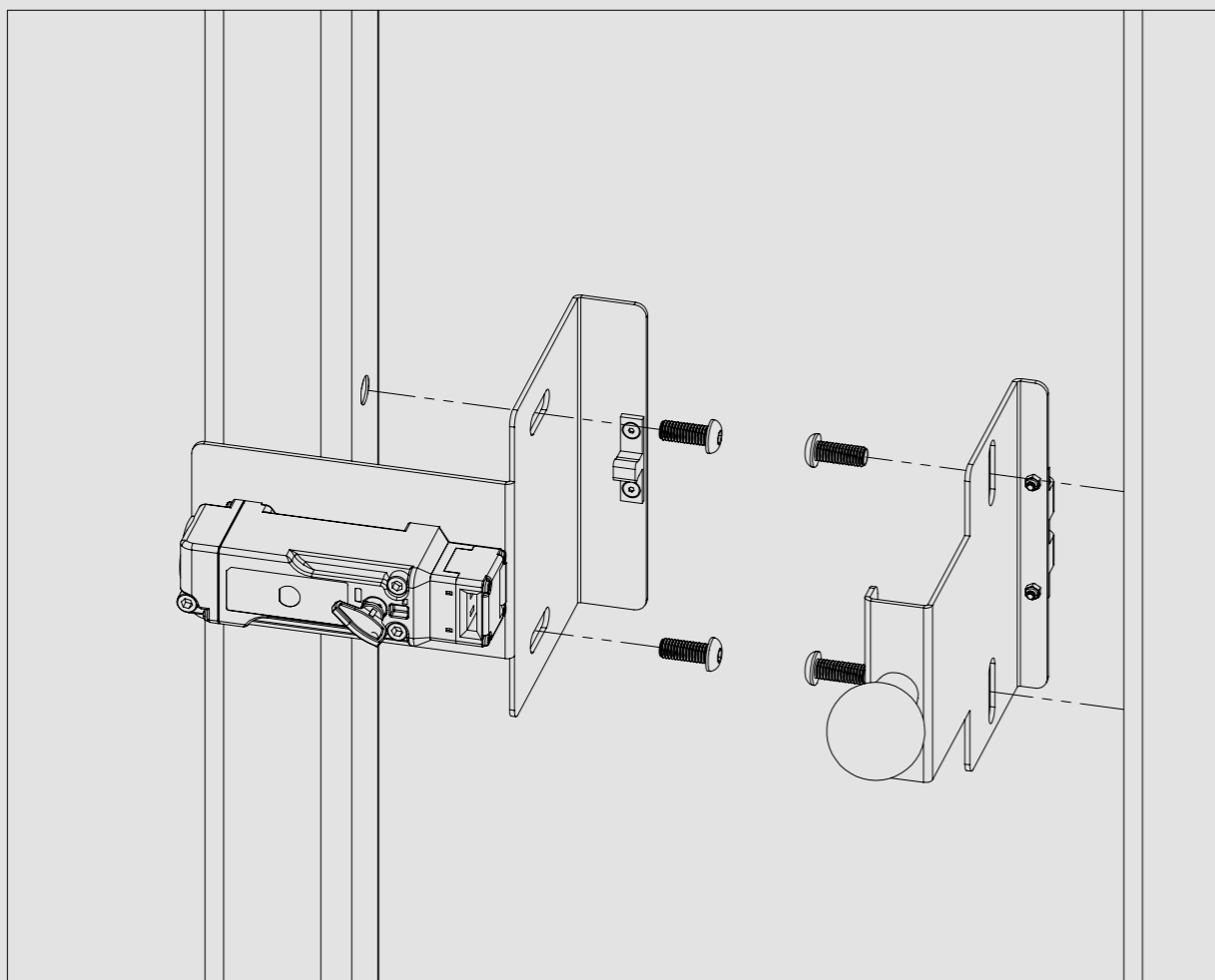
FITTINGS FOR SIEMENS OSG11

711-003-017



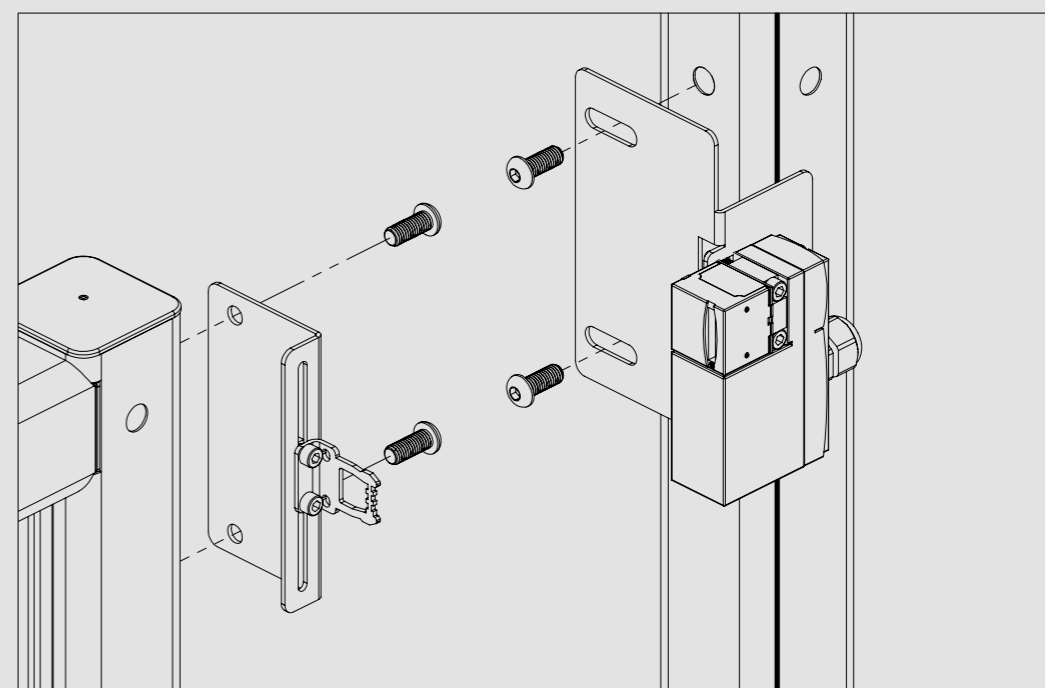
FITTINGS FOR IDEC HS5L

711-003-018



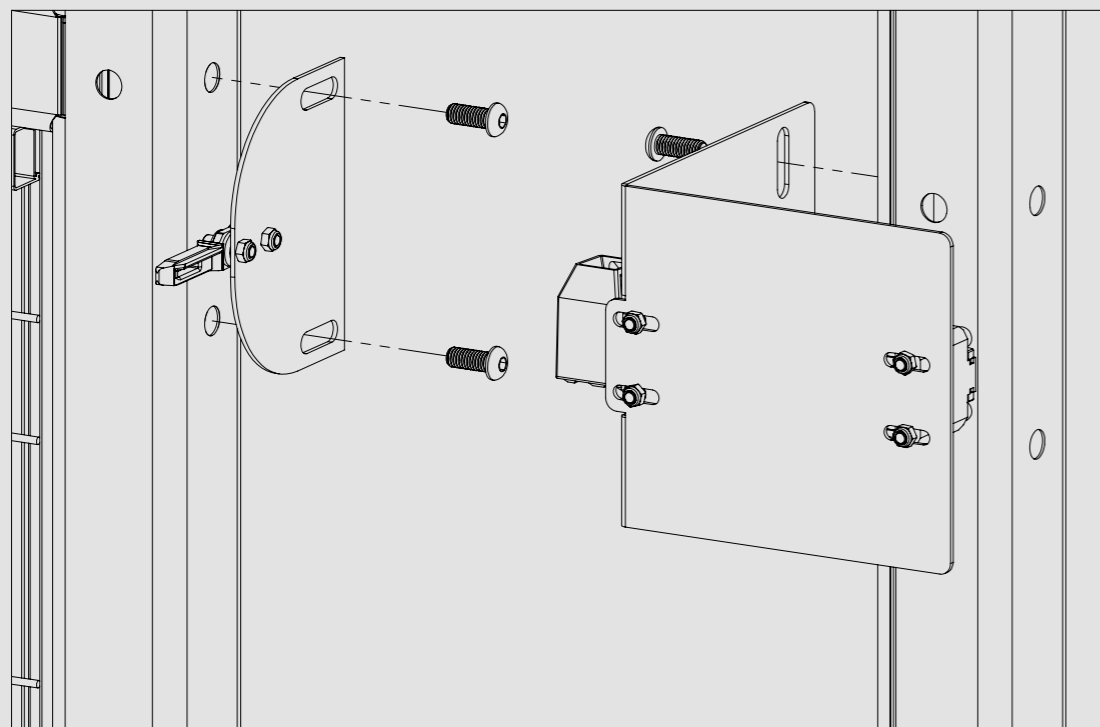
FITTINGS FOR SCHMERSAL AZM 170

711-003-019



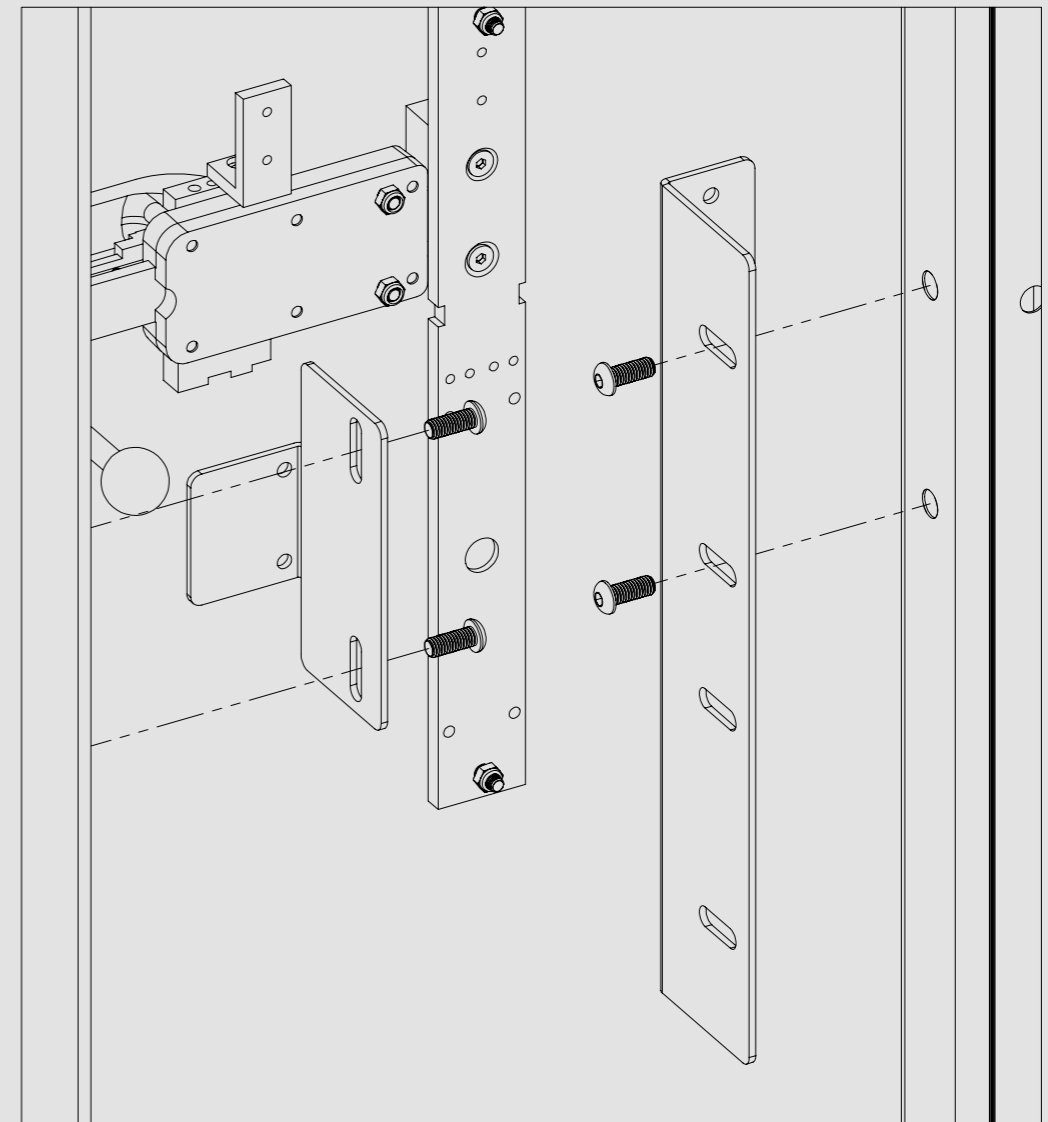
FITTINGS FOR PILZ PSEN ME1S/1AS

711-003-020



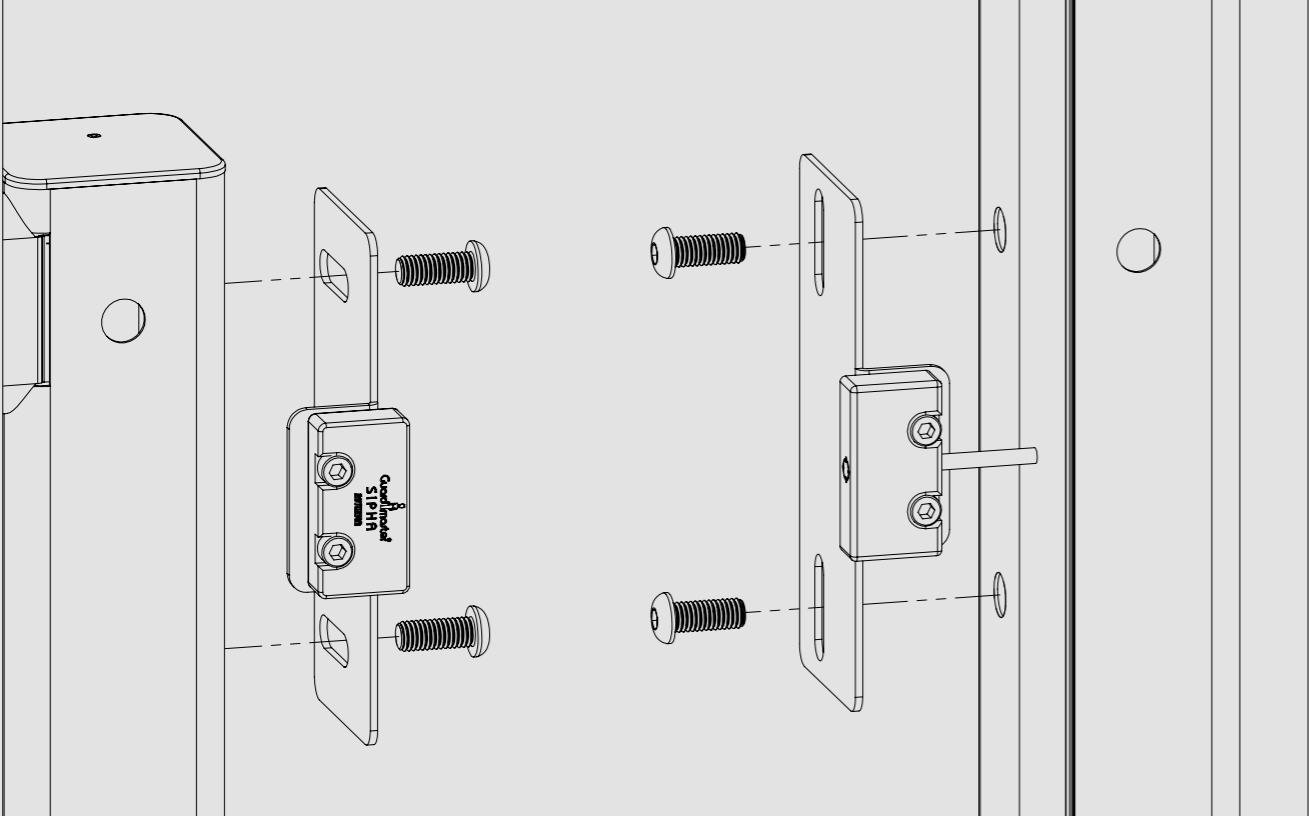
FITTINGS FOR SICK MB1-BL11

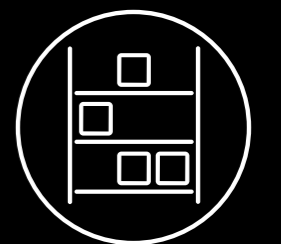
711-003-021



FITTINGS FOR GUARDMASTER 440N-Z2NRS1A

711-003-023

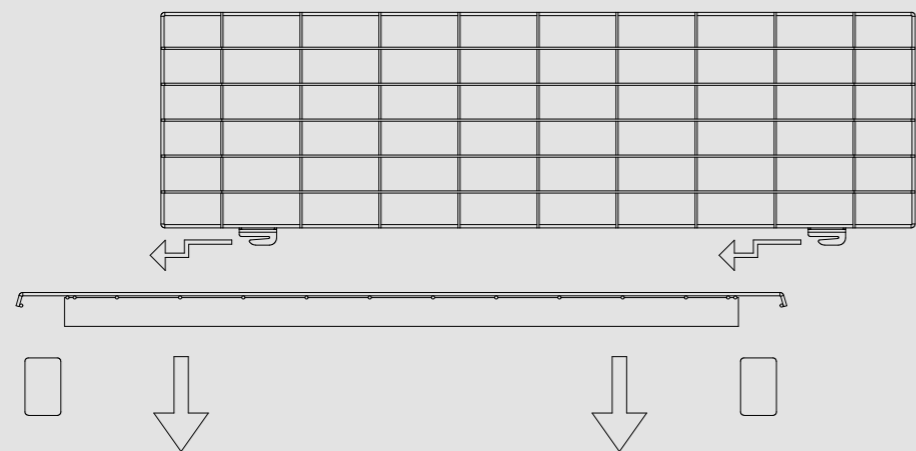
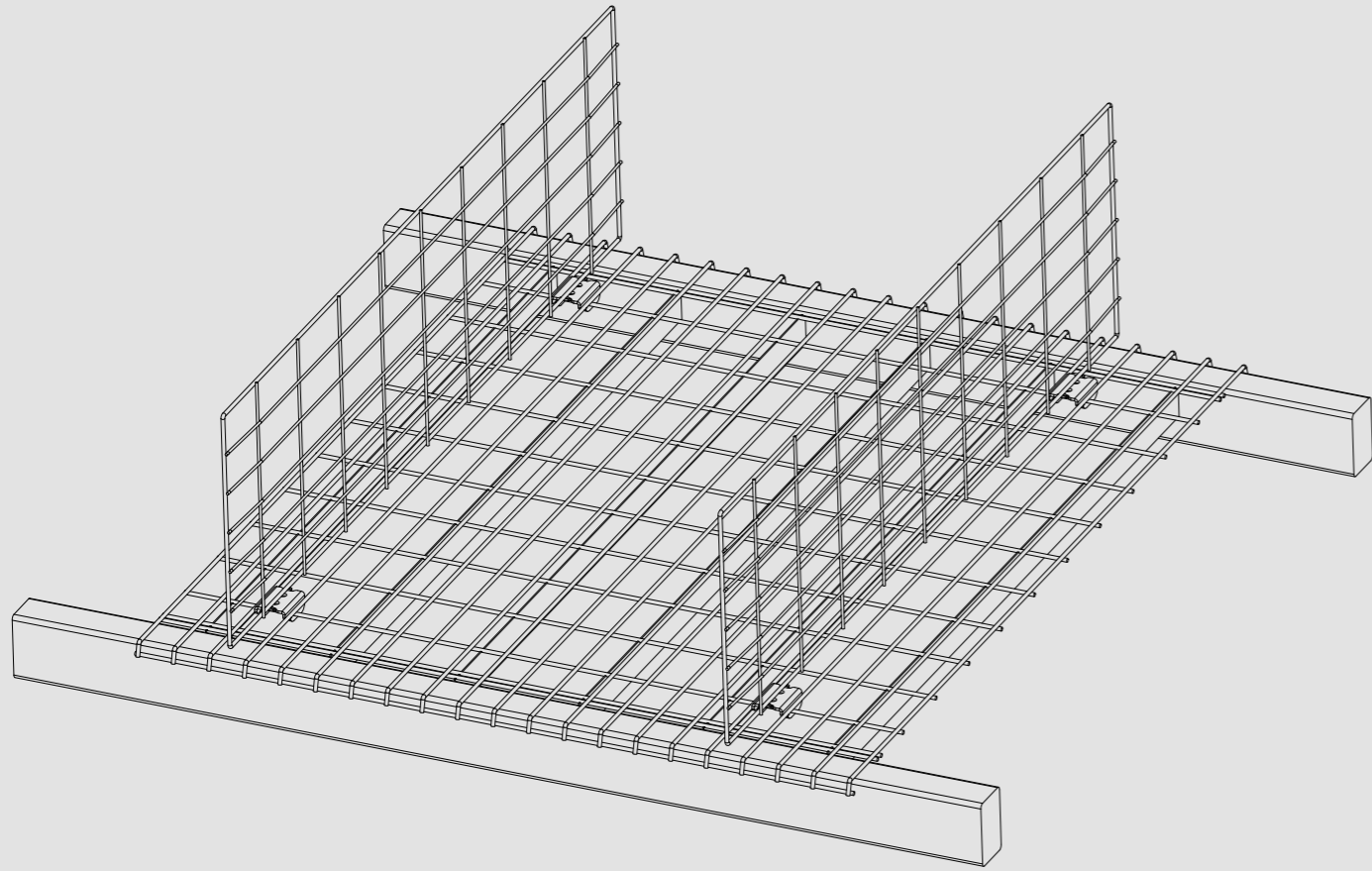




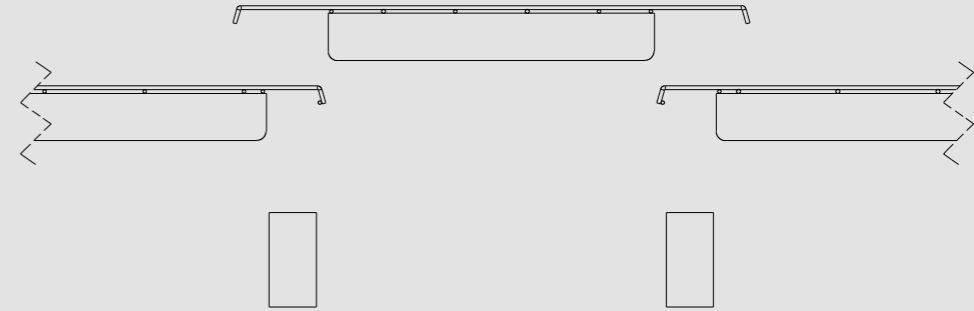
MESH DECKS

*CUSTOMIZED MESH DECK TO
SIMPLIFY YOUR EVERYDAY LIFE*

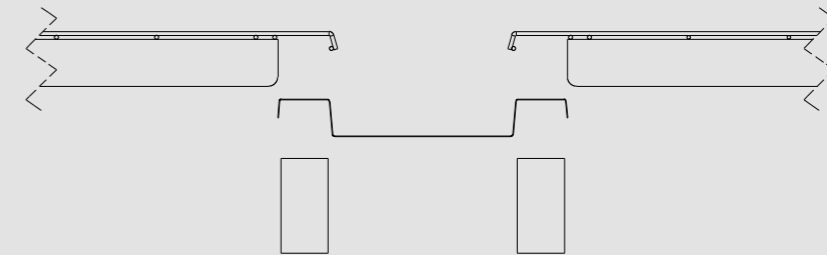
DIVIDER



MESH DECK DOUBLE RACKING



STEEL PLATE DECK DOUBLE RACKING

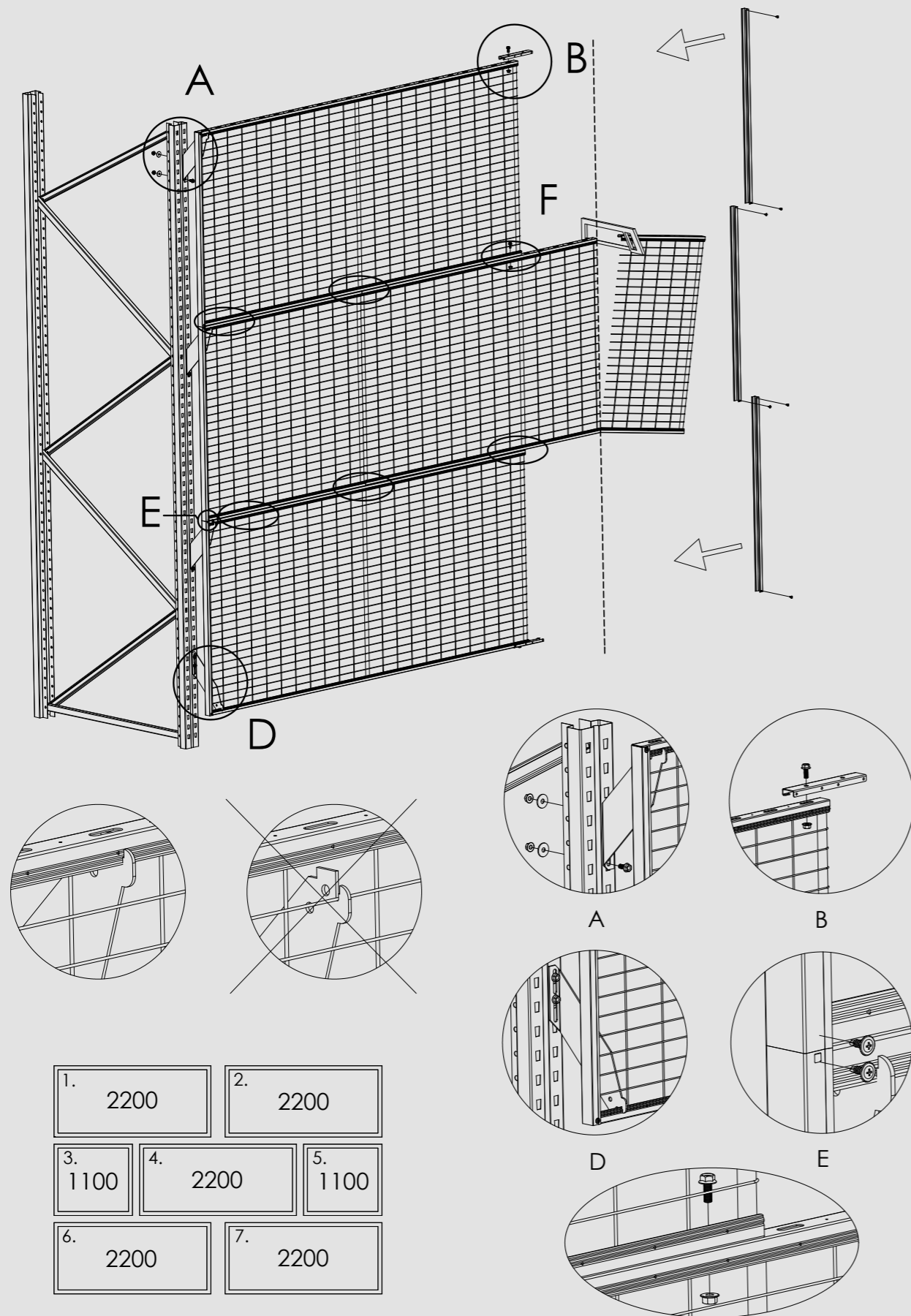




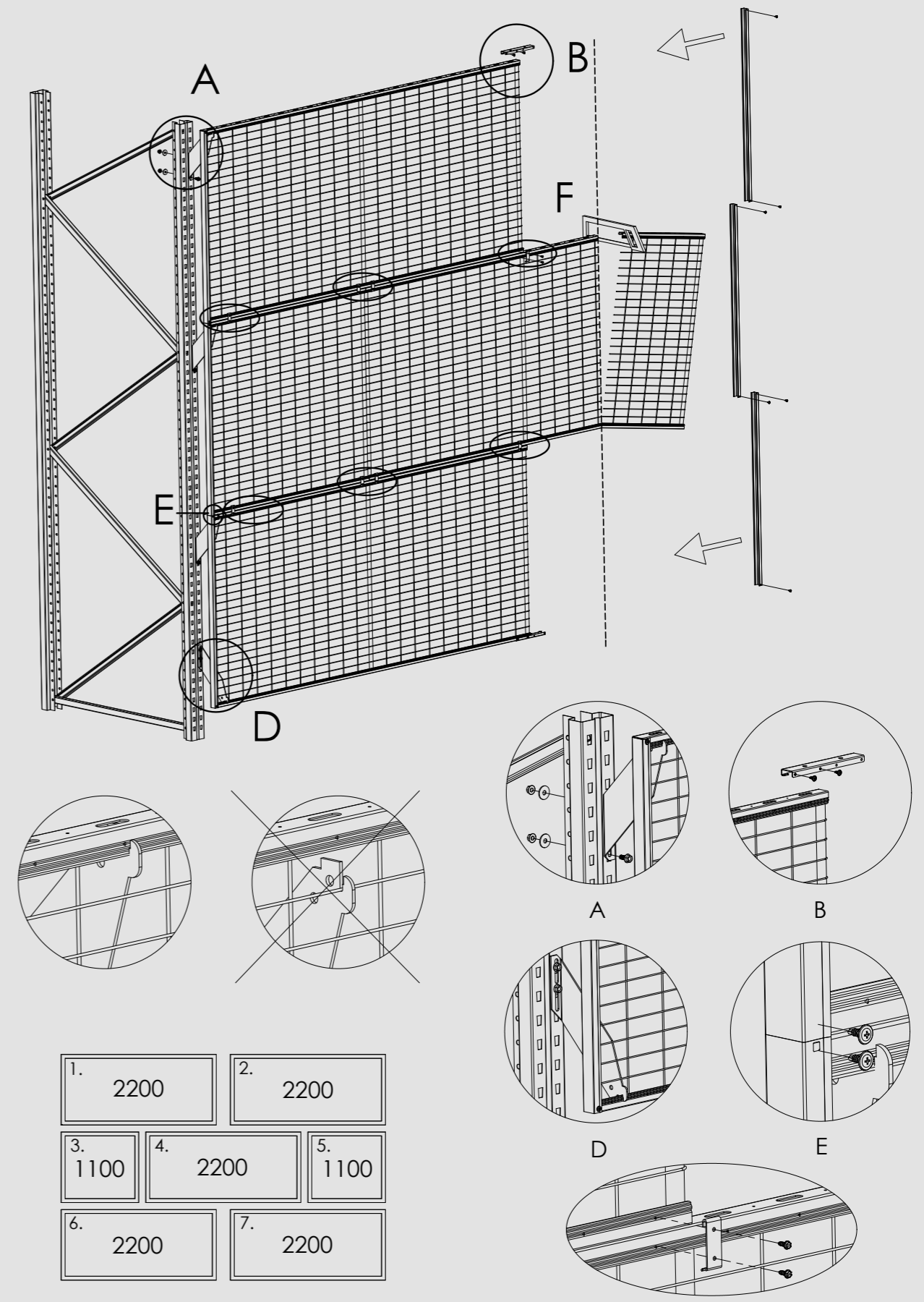
REAR MESH

*REAR MESH THAT SIMPLIFIES
YOUR EVERYDAY LIFE*

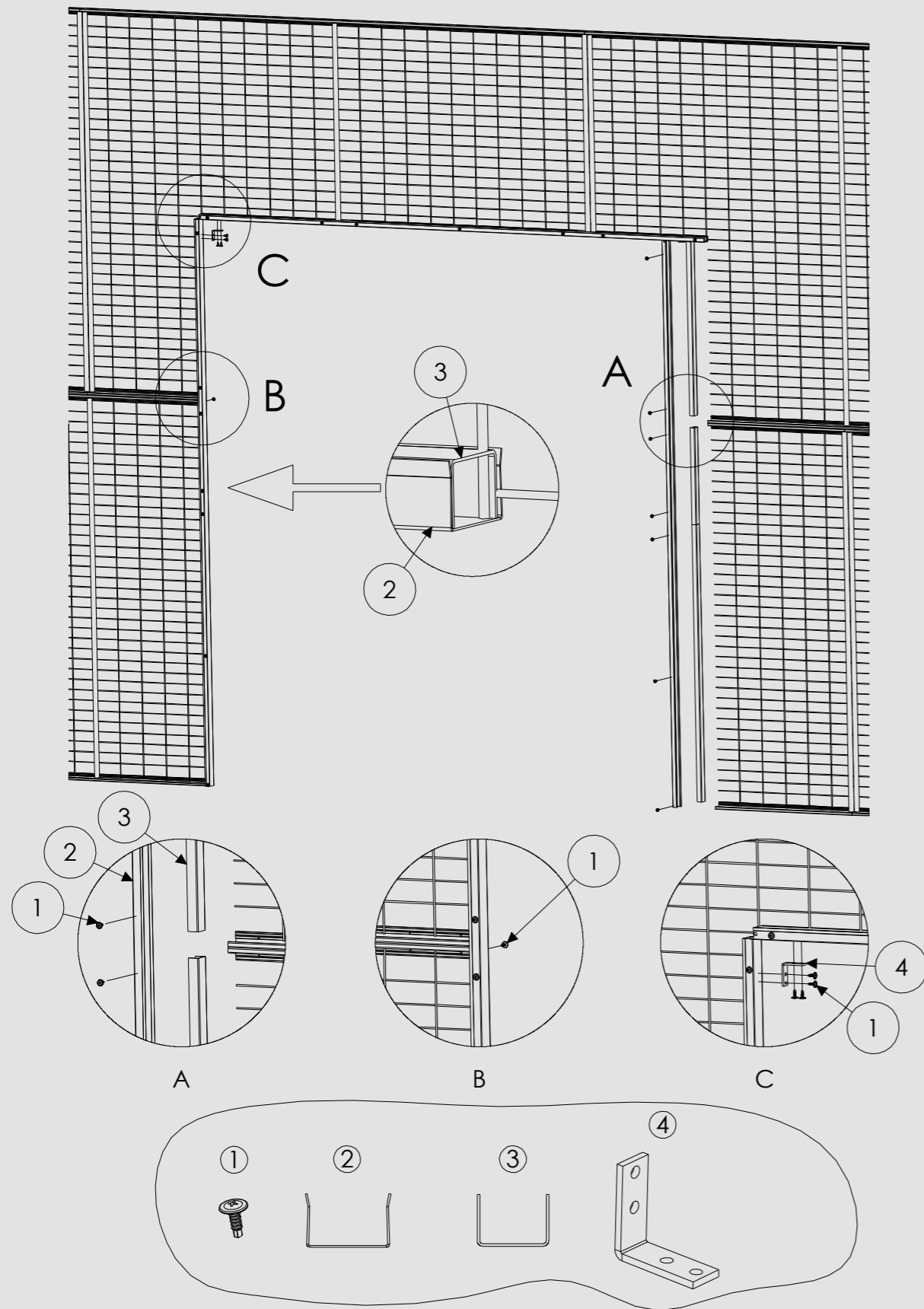
ASSEMBLY DIRECTION, INSIDE



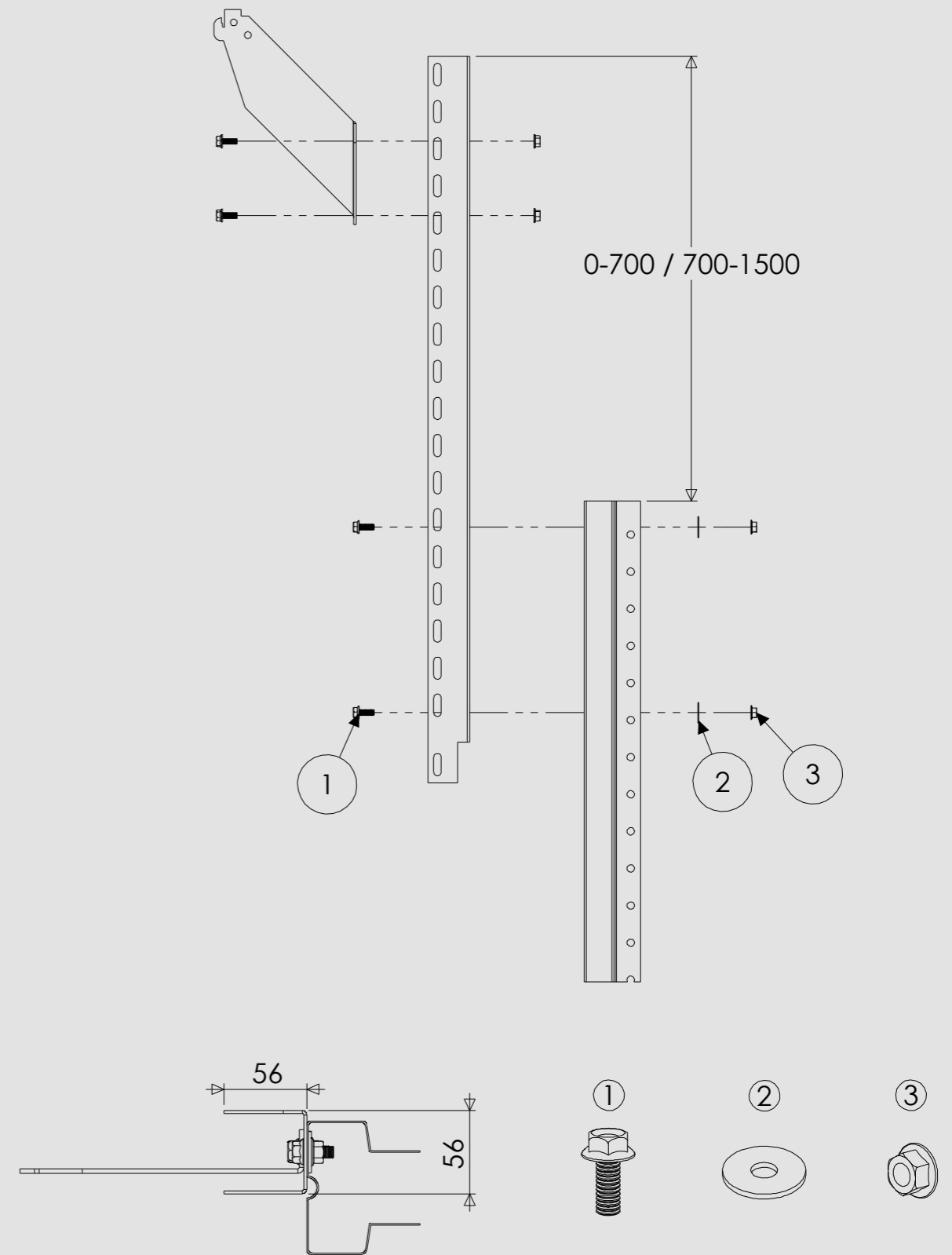
ASSEMBLY DIRECTION, OUTSIDE



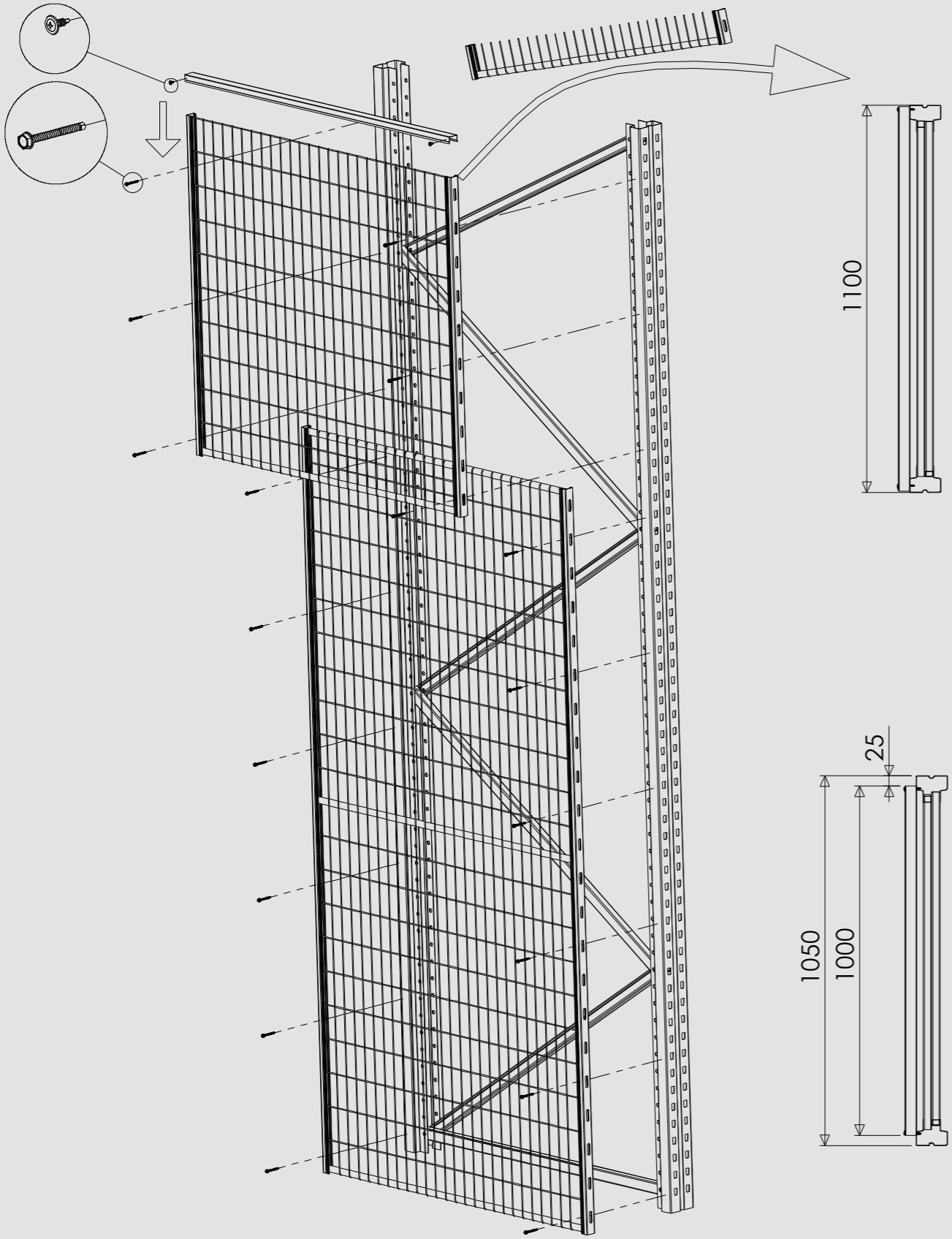
OPENINGS



POST EXTENSION FOR RACKING UPRIGHT



SIDE OF RACKING MESH

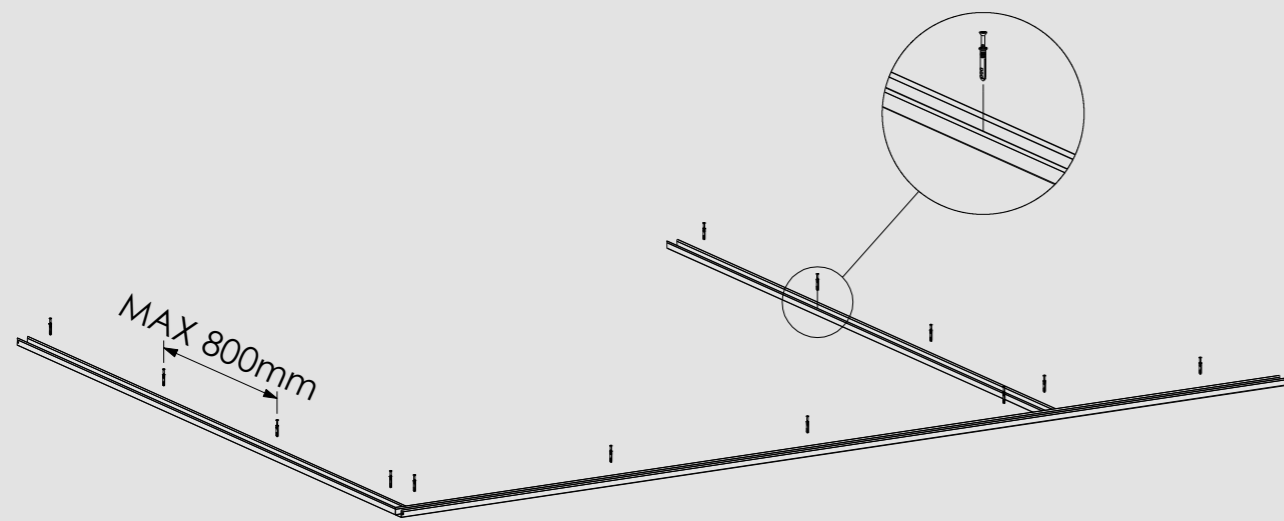




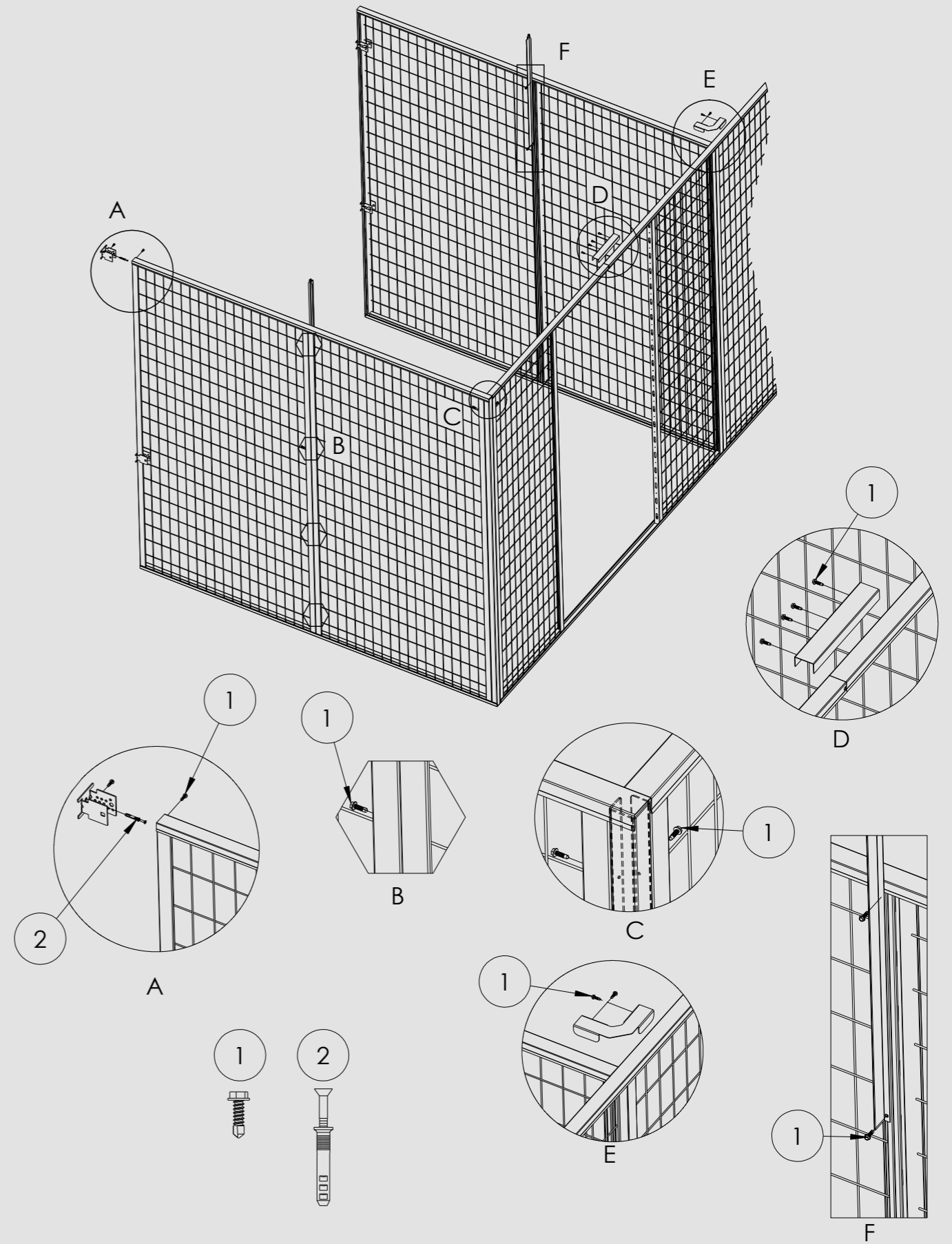
PROPERTY PROTECTION

*PROPERTY PROTECTION THAT
SIMPLIFIES YOUR EVERYDAY LIFE*

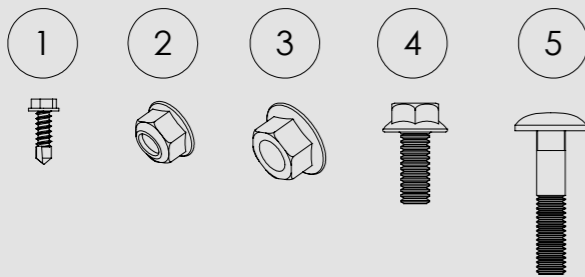
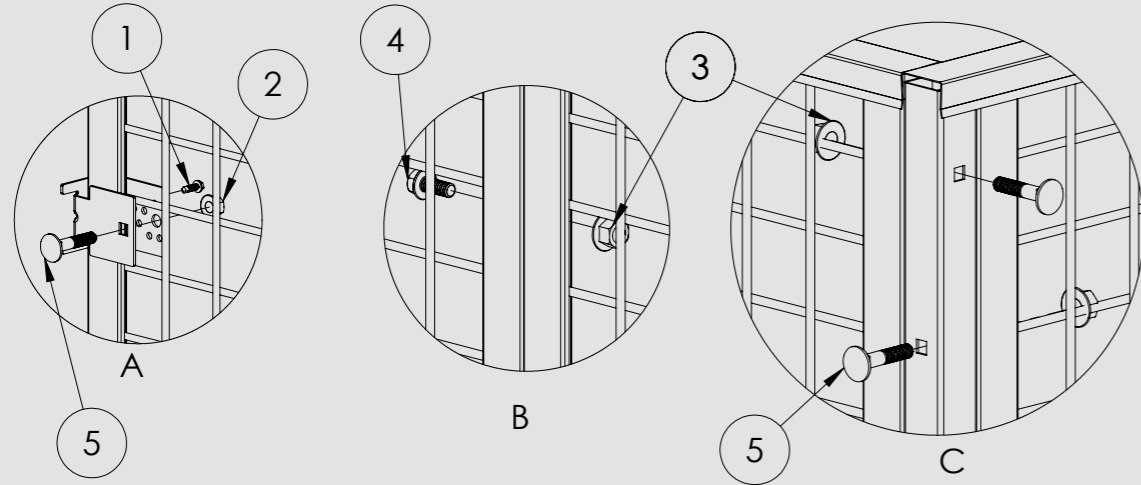
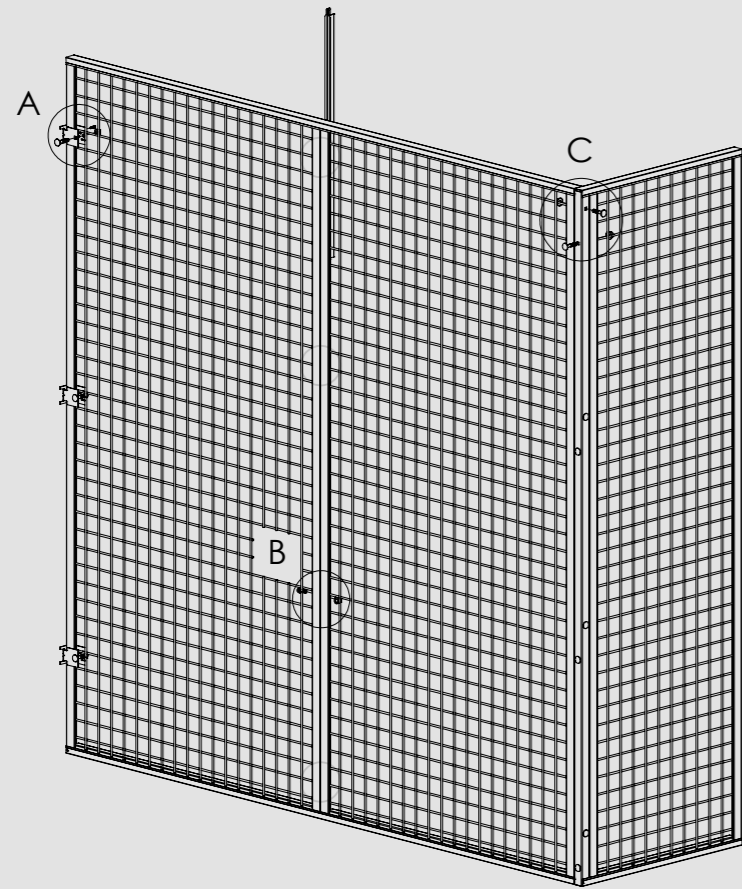
FLOOR FIXING



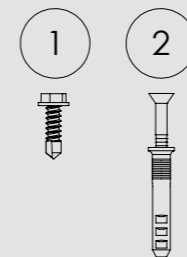
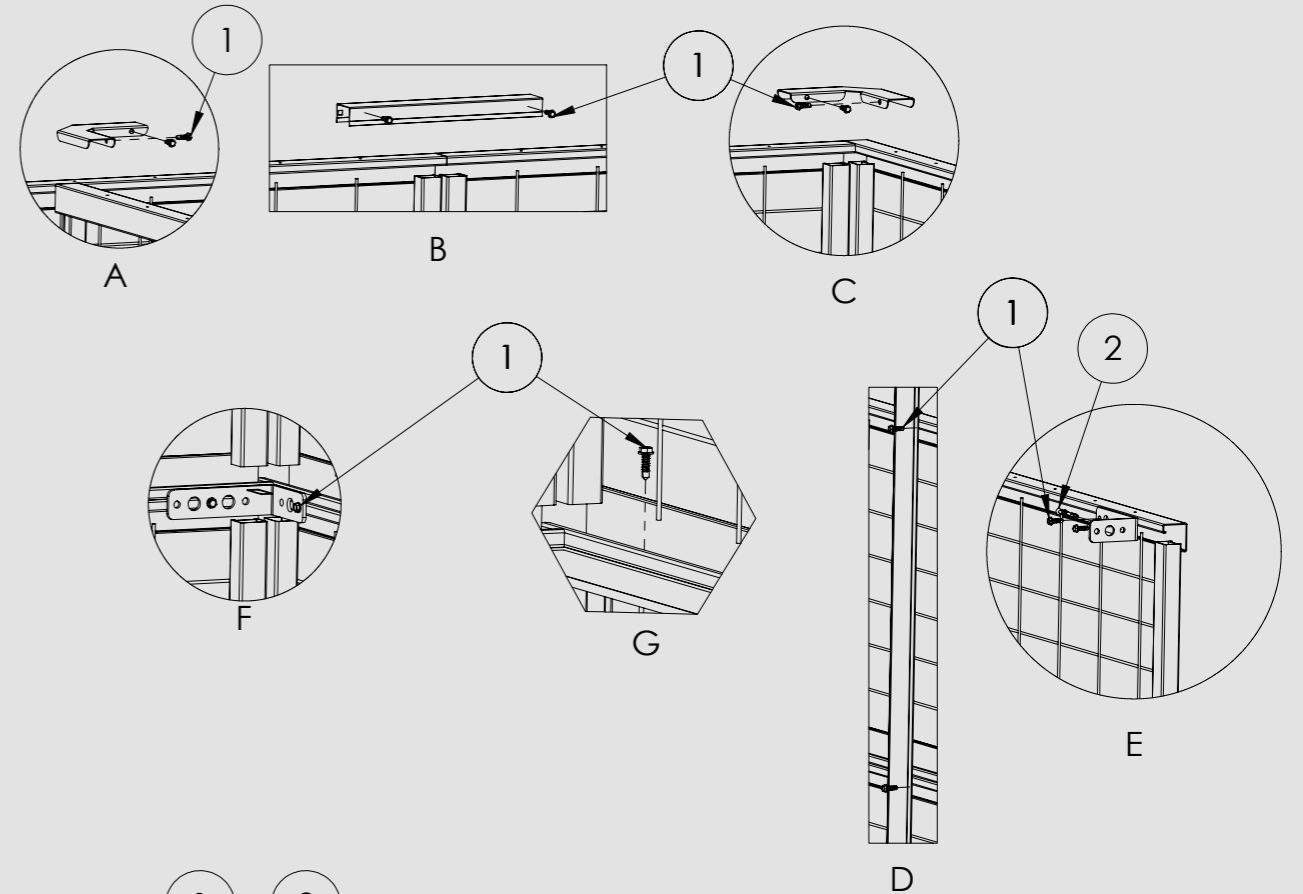
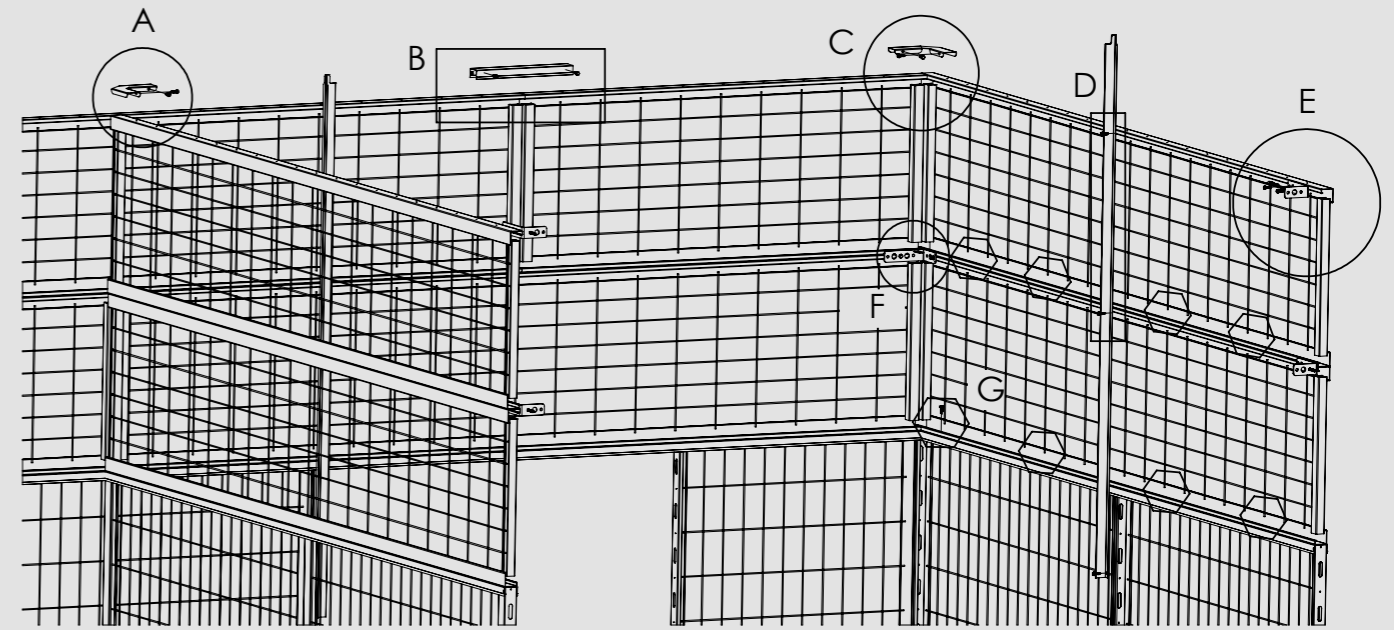
WALLS



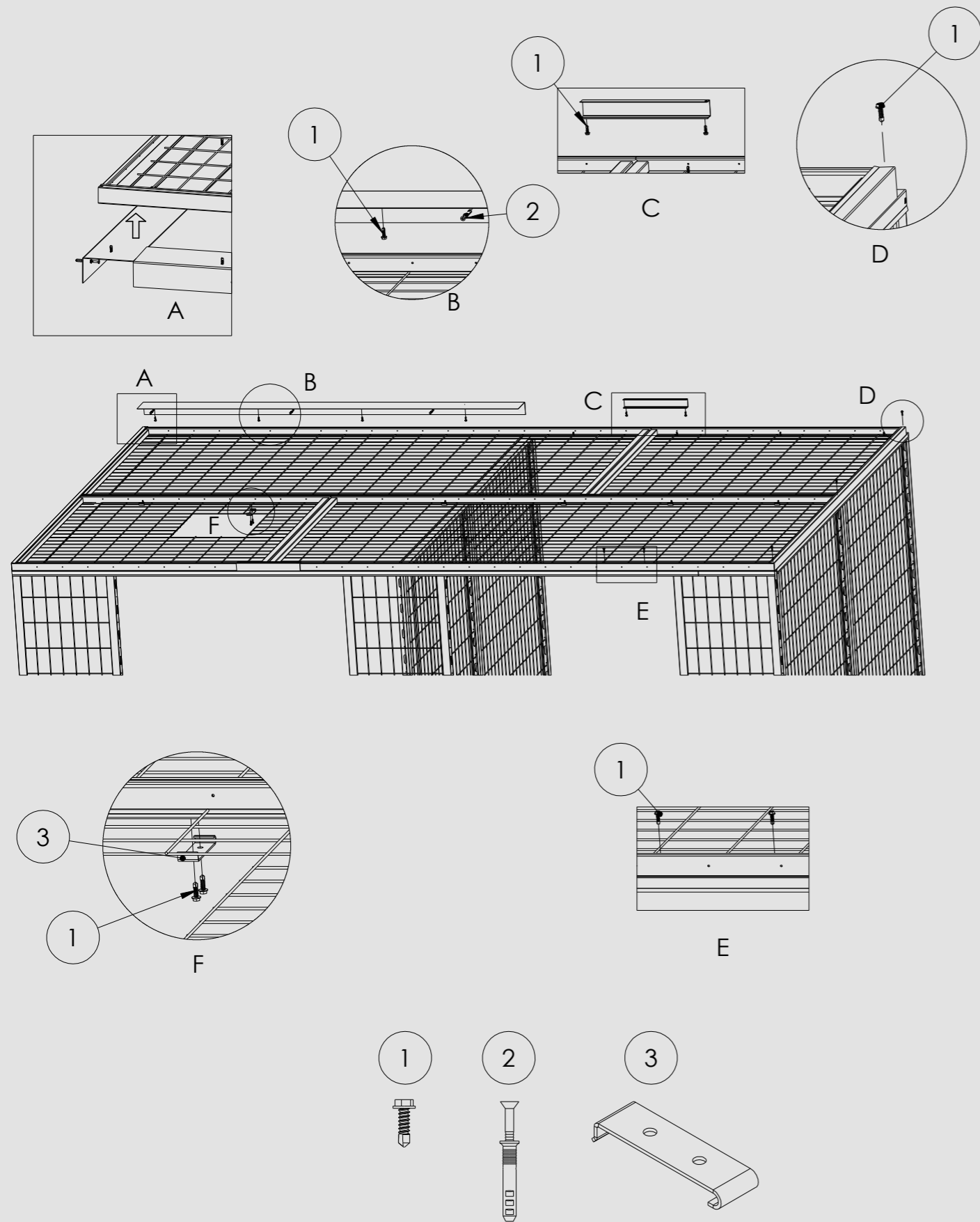
WALLS G550



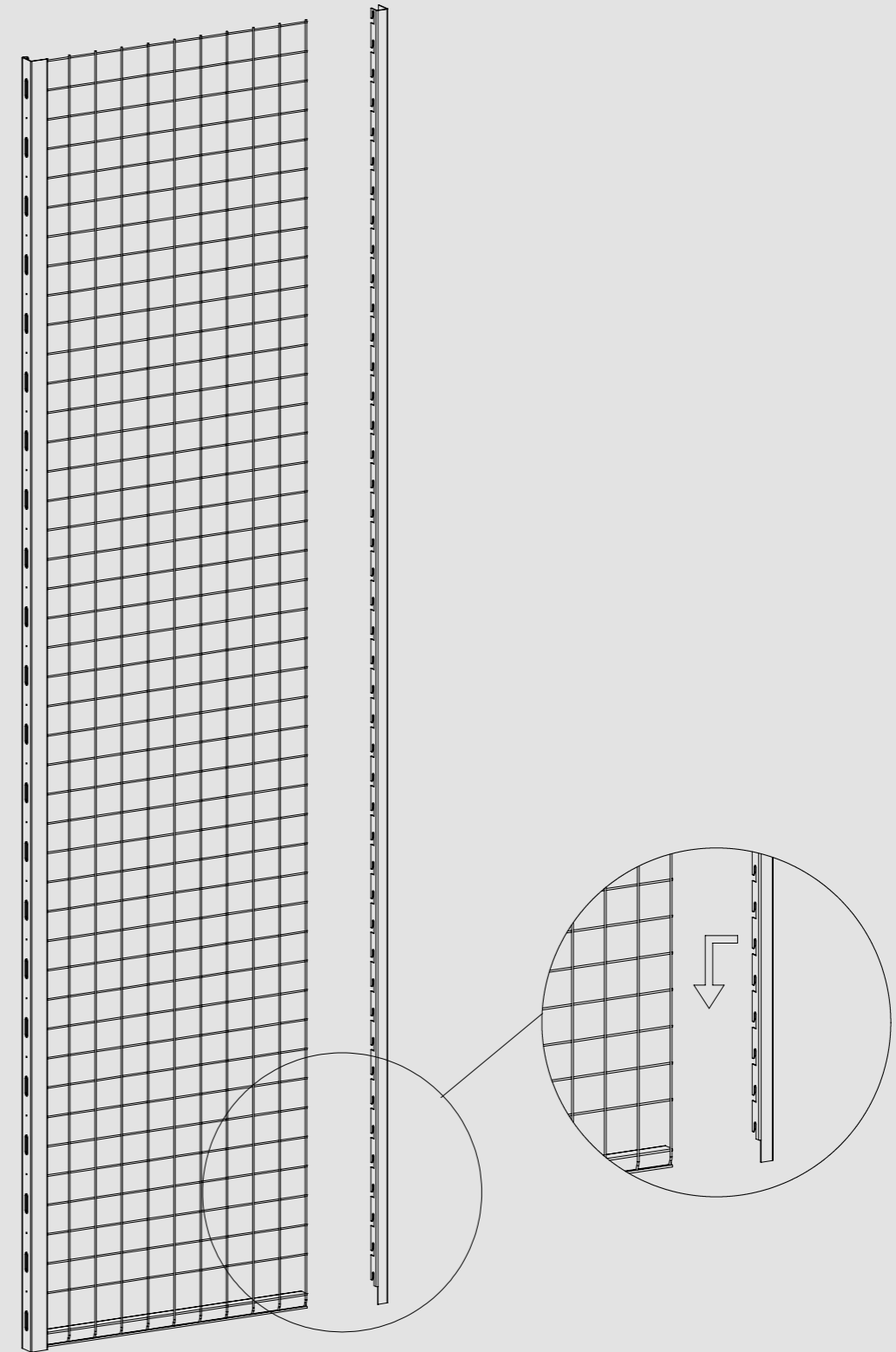
WALL EXTENSIONS



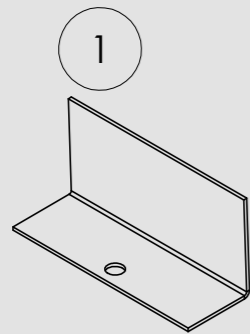
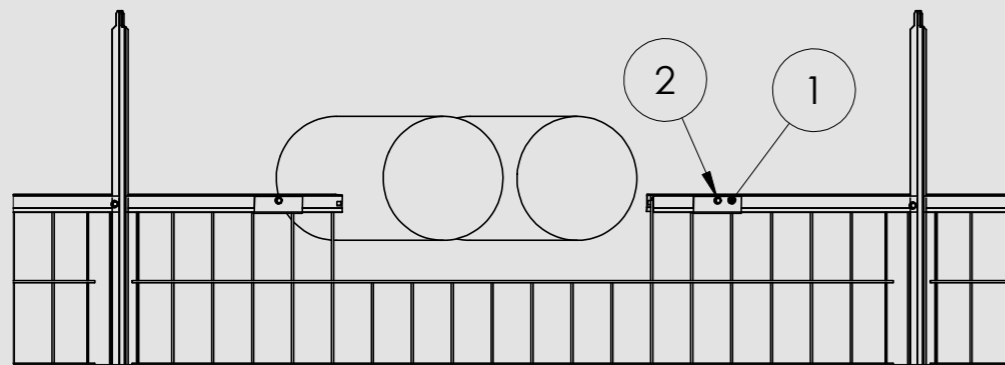
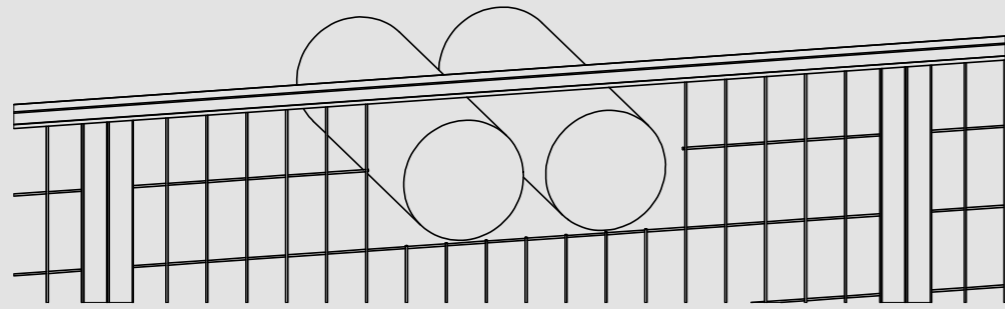
ROOF



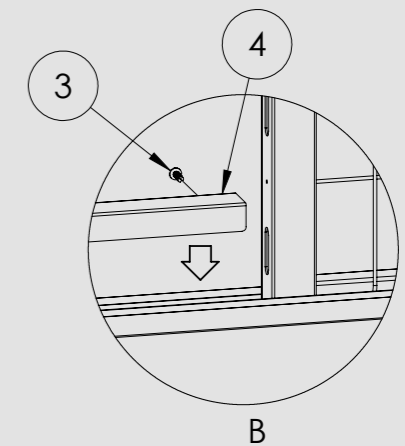
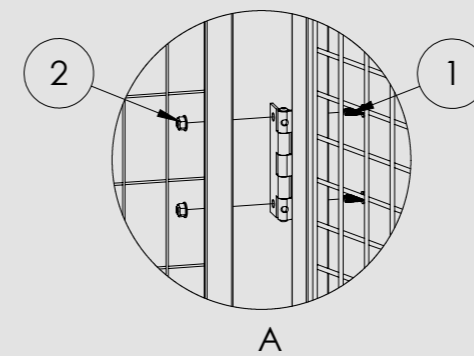
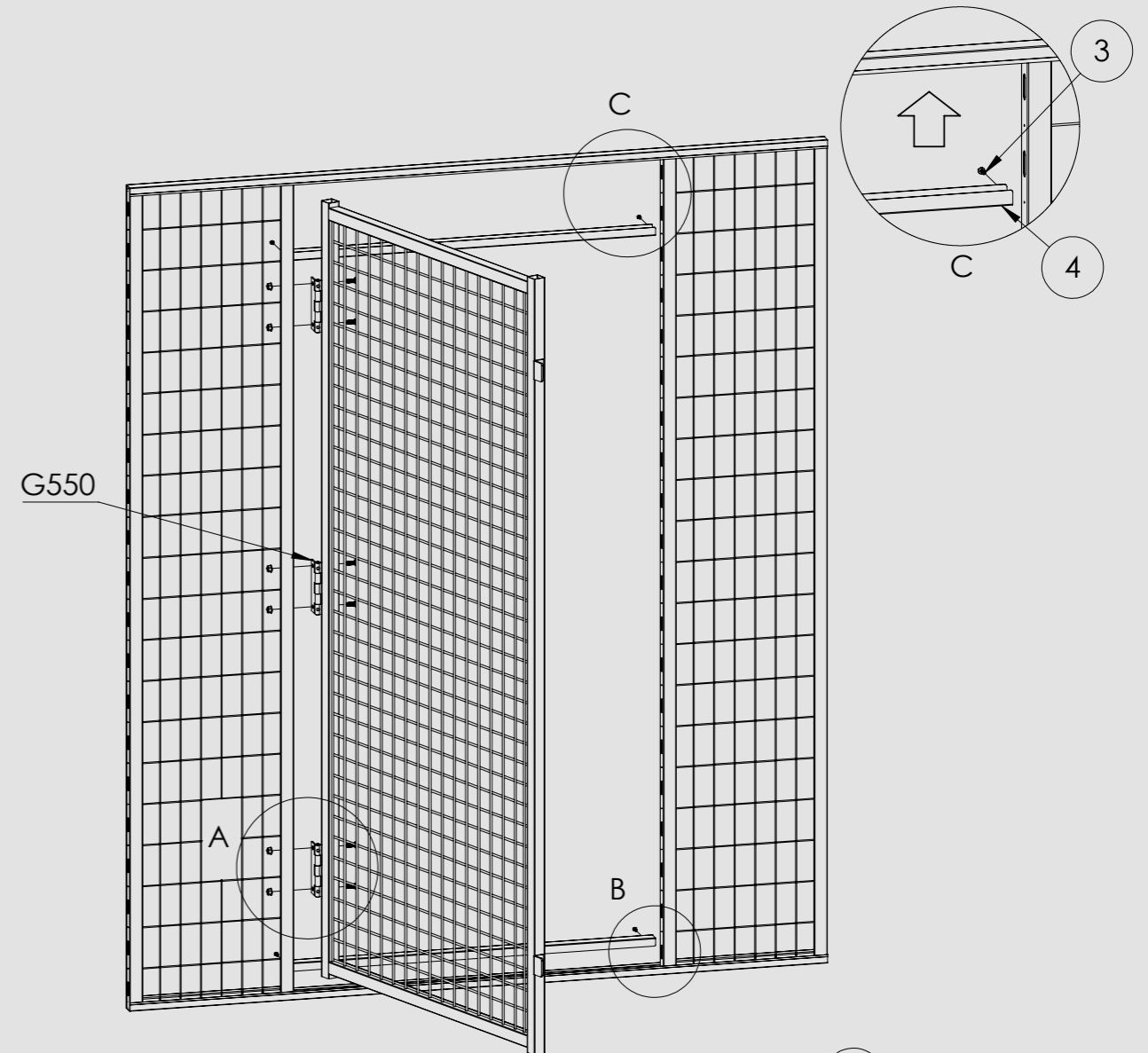
VERTICAL CUTTING



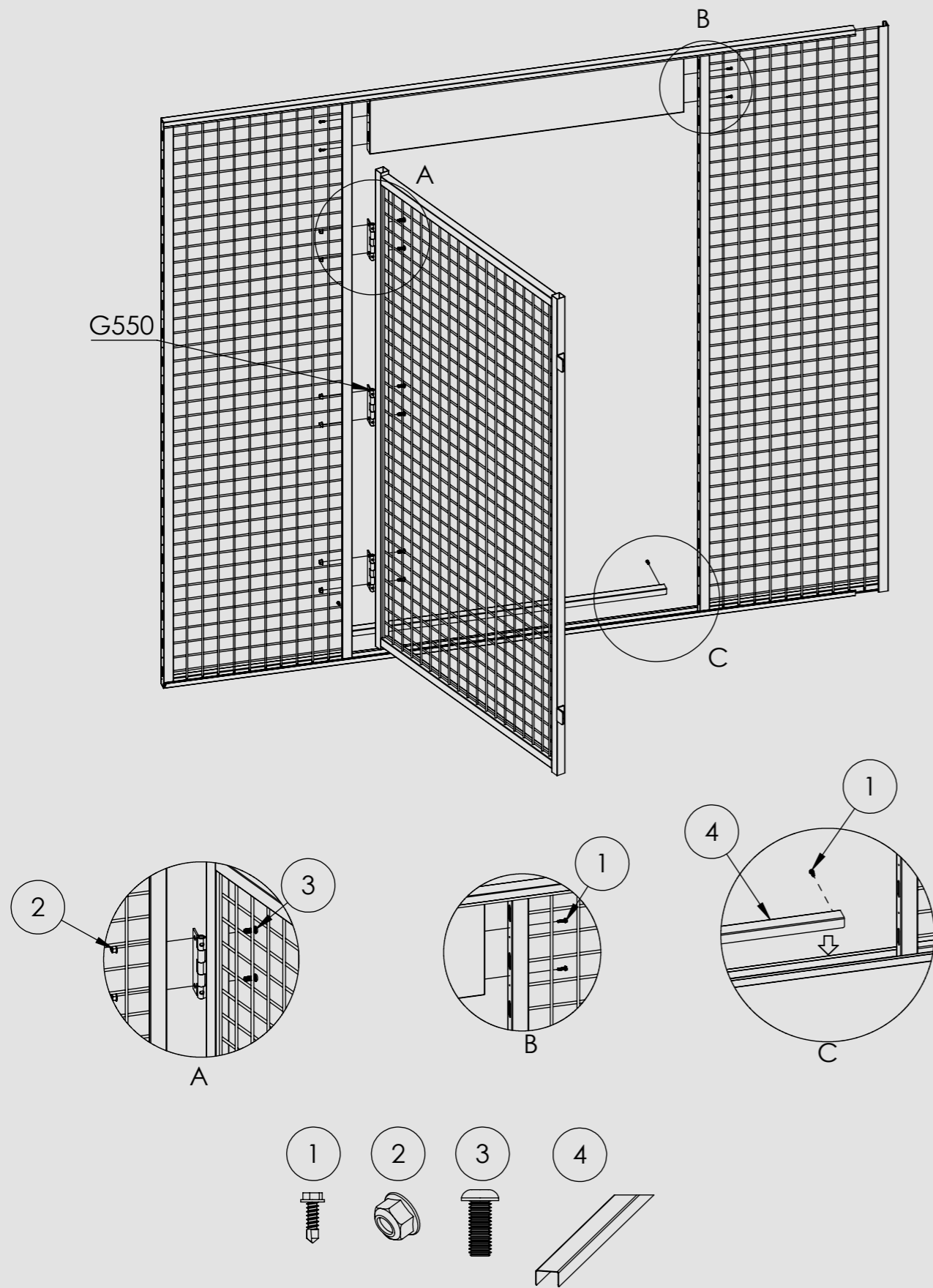
OPENINGS



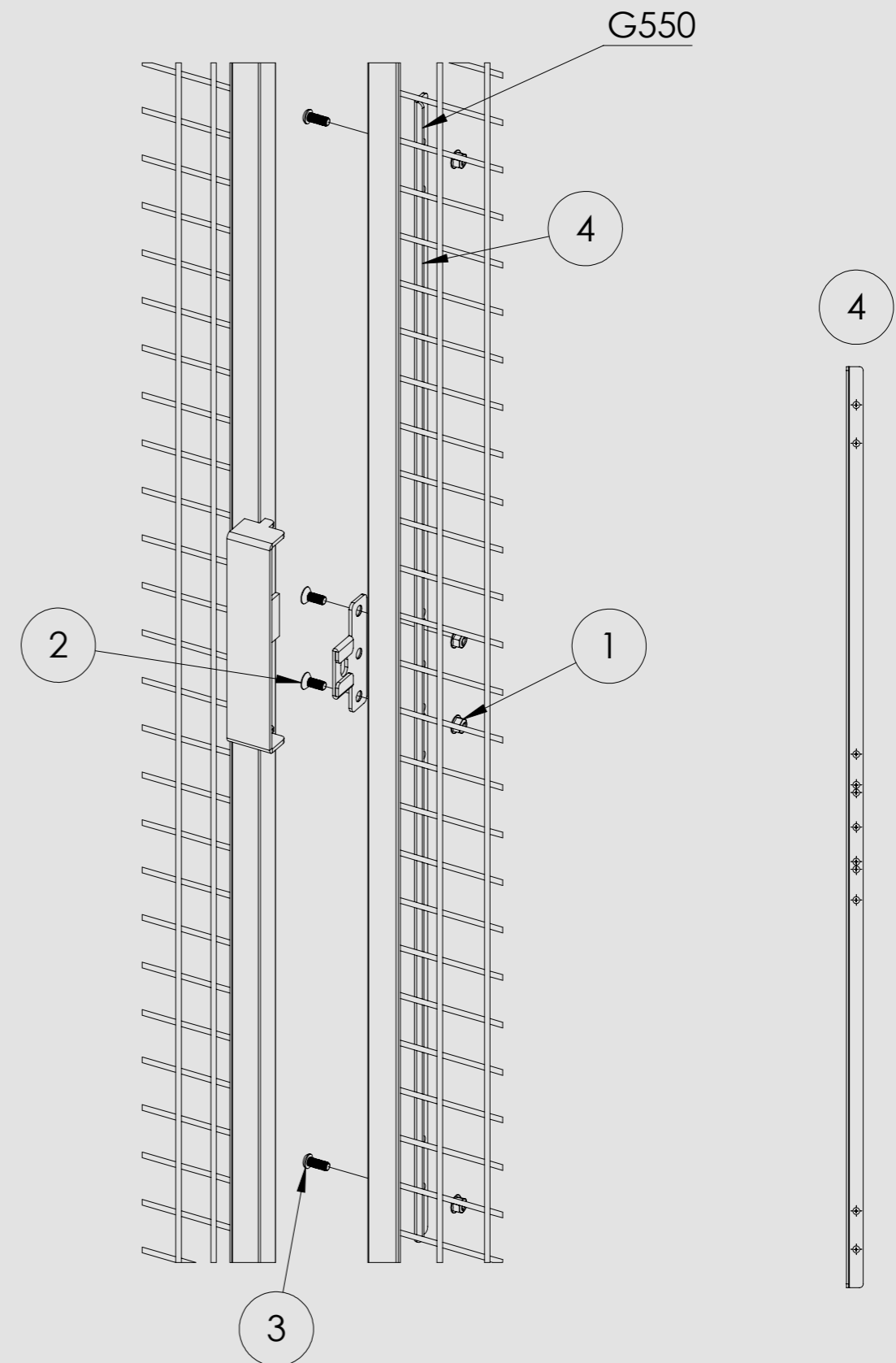
DOOR WITH TOP PROFILE



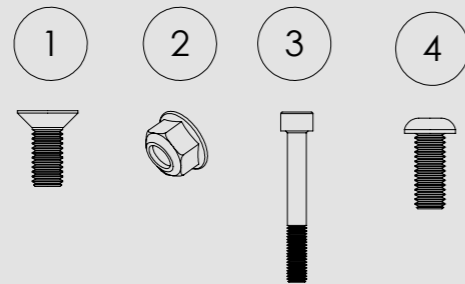
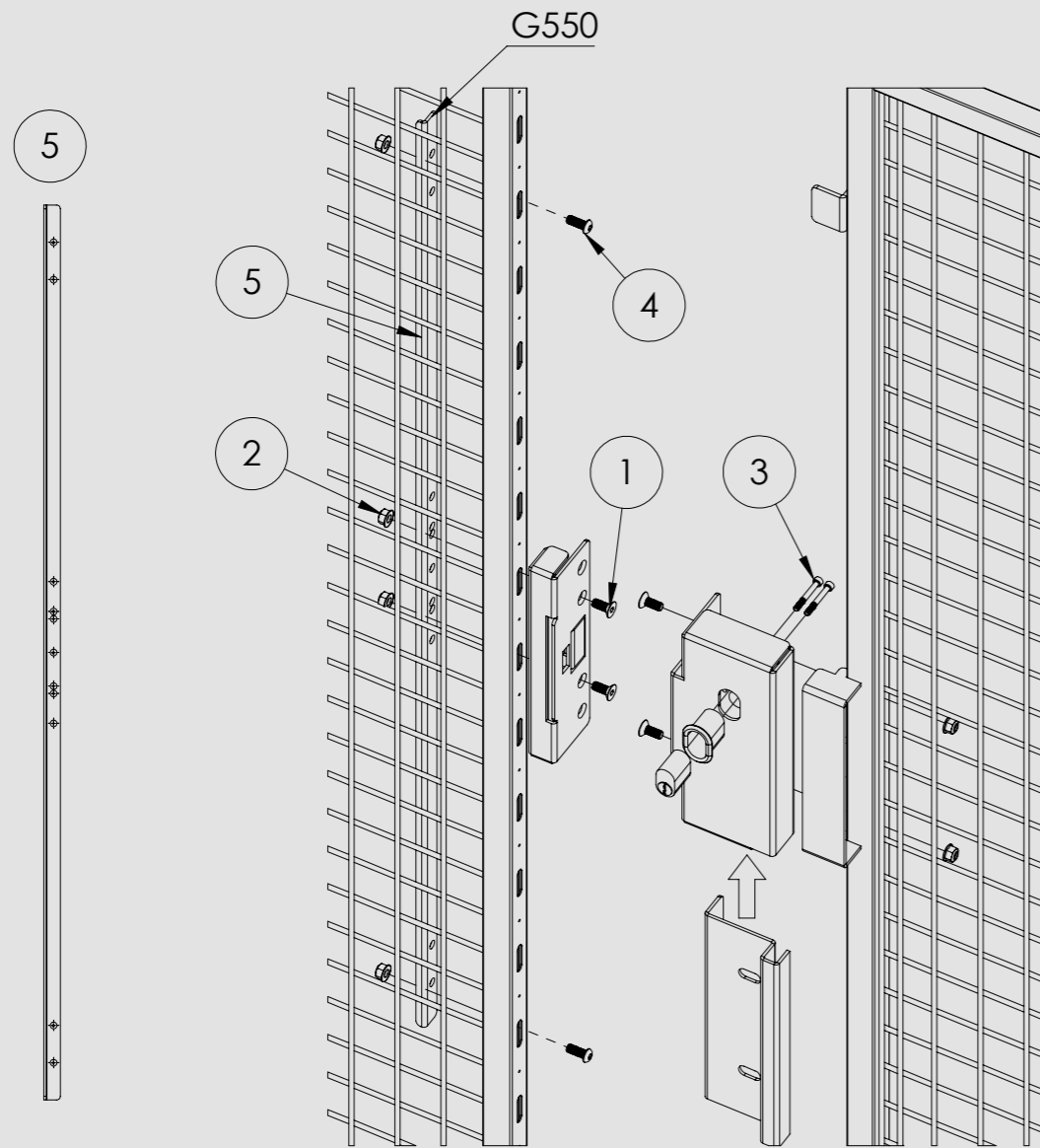
DOOR WITH TOP PANEL



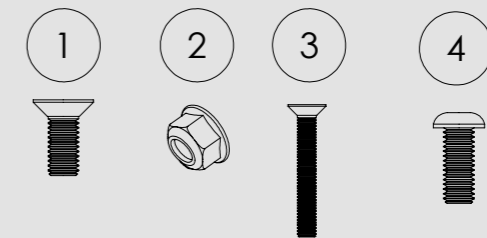
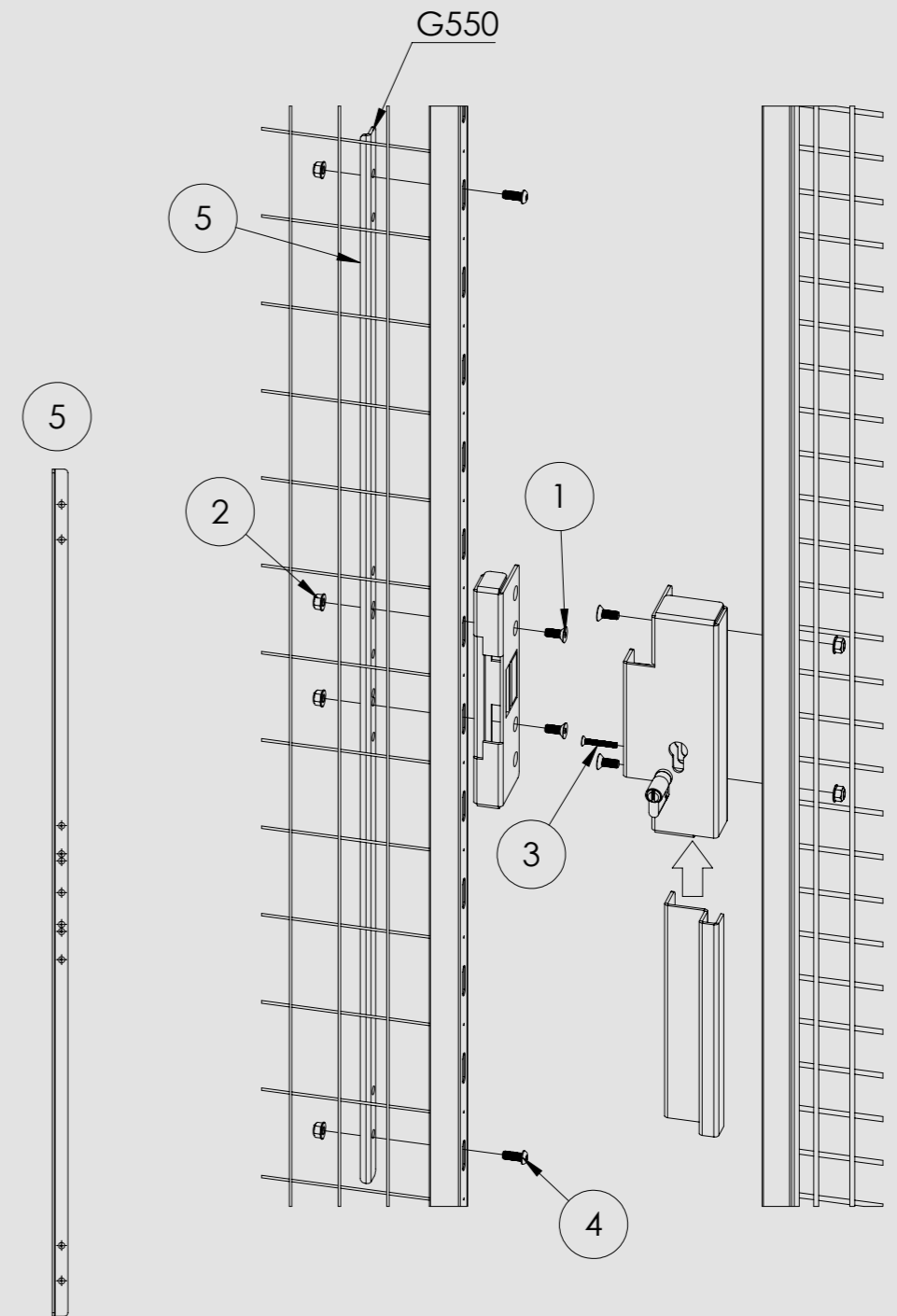
PAD LOCK PLATES



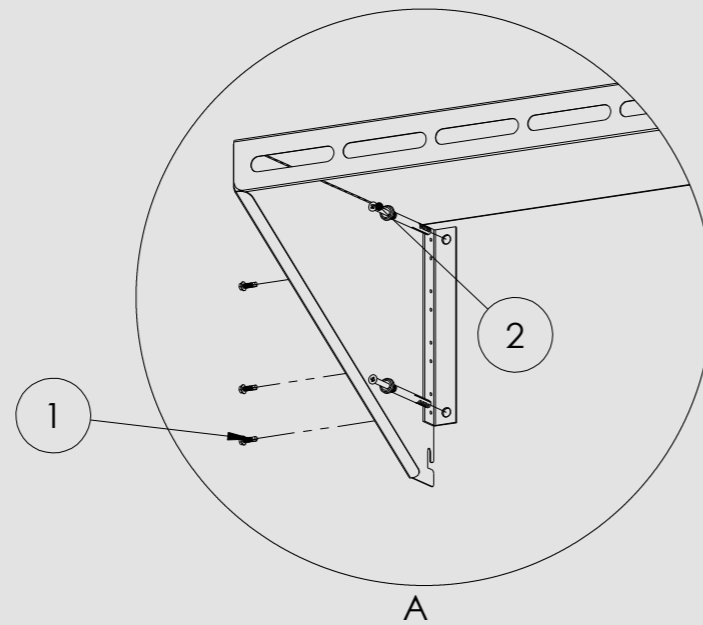
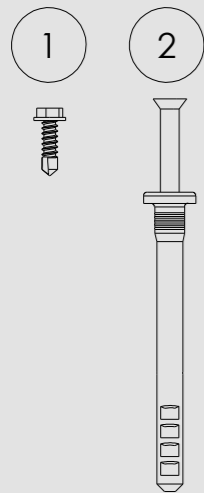
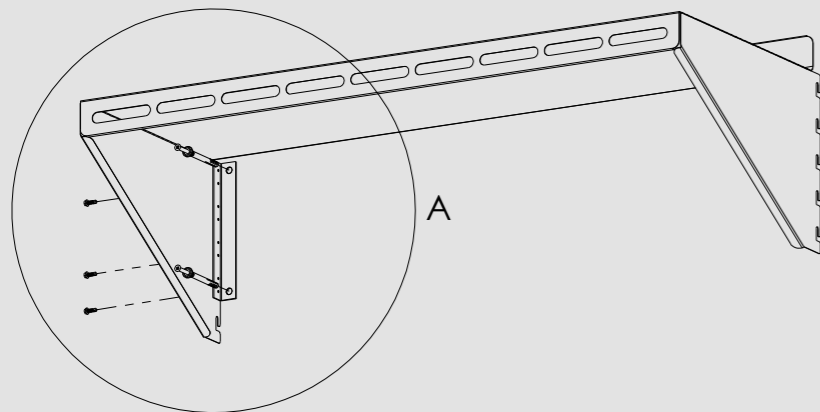
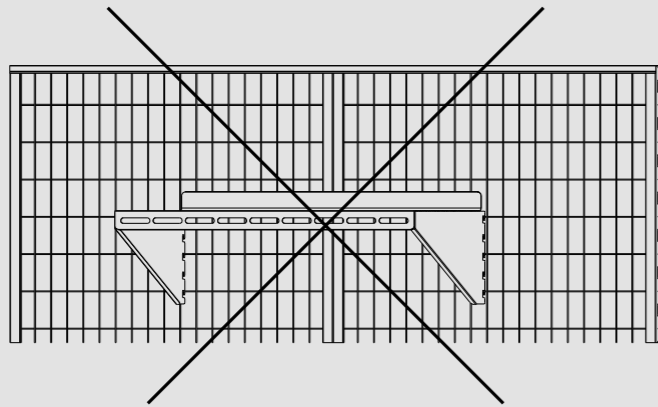
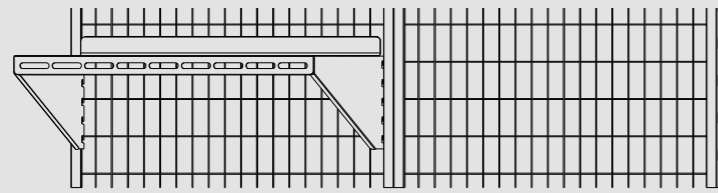
SCANDINAVIAN OVAL PROFILE SINGLE CYLINDER



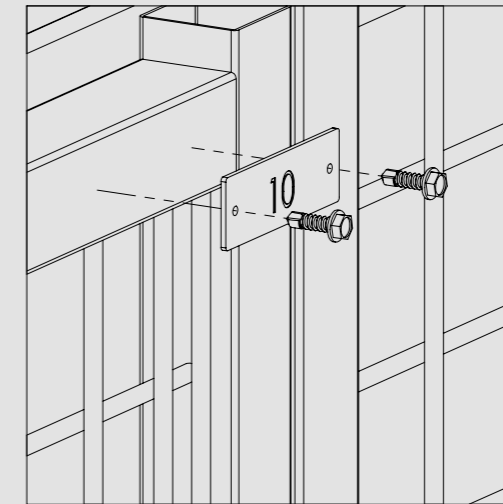
17MM EURO PROFILE SINGLE CYLINDER



STEEL SHELF



NUMBER PLATE FOR DOOR



*Find more info at
www.garantell.com*



Garantell

simplifying everyday life